

SIDE-POWER
Product Data sheet

Reinforcement SRF Flanges

185/250/300

Rev 1.0.2

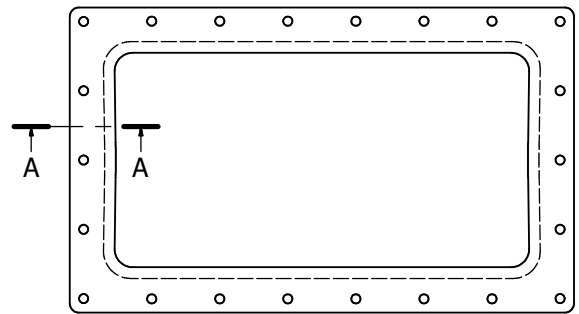
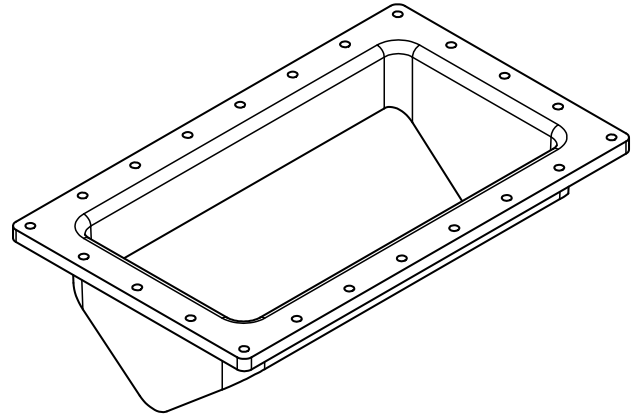
1. Technical data

Model	Length x width (mm)	Height (mm)	Weight (kg/lbs)
SRF 185	550 x 330	160	3,3 / 7,3
SRF 250	687 x 460	200	5,6 / 12,3
SRF 300	842 x 580	236	8,9 / 19,6

2. Material specifications

Altek™ H834-REA-30 Polyester Resin	H834-REA-30 (see attachment)
Hydropel™ H034-ADB-30 Modified Vinyl Ester Resin	H034-ADB-30 (see attachment)

Note! The boatbuilder must be aware of that certain mould in materials can come in an chemical conflict with these materials. (Ref 2. Material specifications). The boatbuilder is responsible of using materials that will match chemically.

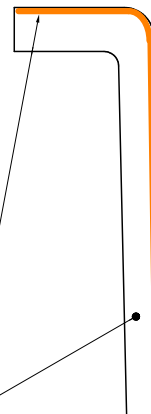


A - A

Material specifications view

Vinylester for Osmosis protection (See attached data sheet)

Polyester (See attached data sheet)



TYPICAL SECTION VIEW



SLEIPNER MOTOR AS
P.O. Box 519
N-1612 Fredrikstad
Norway
Tel: +47 69 30 00 60
Fax: +47 69 30 00 70

www.side-power.com
sidepower@sleipner.no



Made in Norway

© Sleipner Motor AS 2014

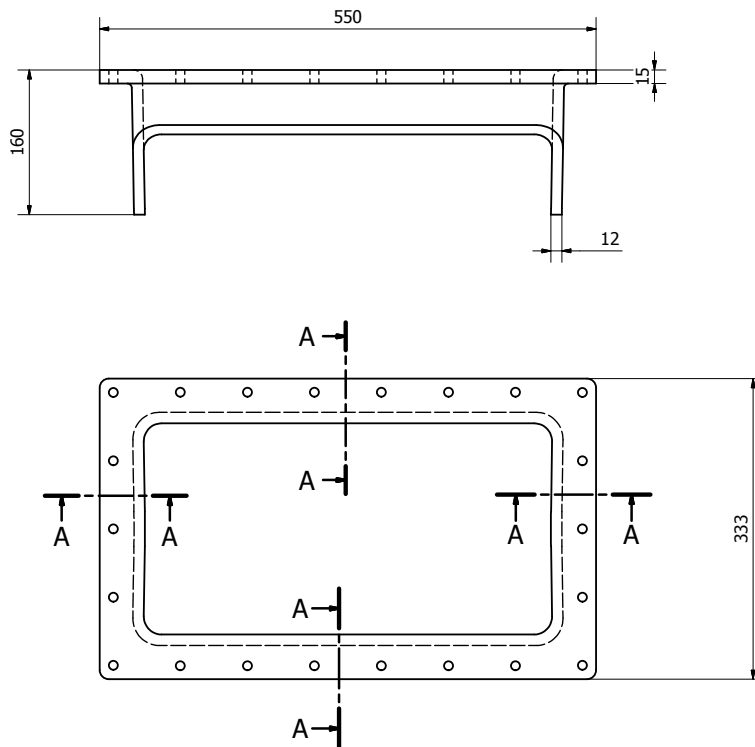
3. Maintenance

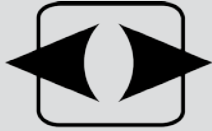
N/A

4. Health and safety

- During mould in, wearing of face mask, eye protection and hand protection is very important.
- Mould in works must be done in ventilated areas.
- See attached datasheets for more information.

Fig1 SRF 185 GRP





SIDE-POWER
Product Data sheet

Reinforcement SRF Flanges

185/250/300

Rev 1.0.2

Fig2 SRF 250 GRP

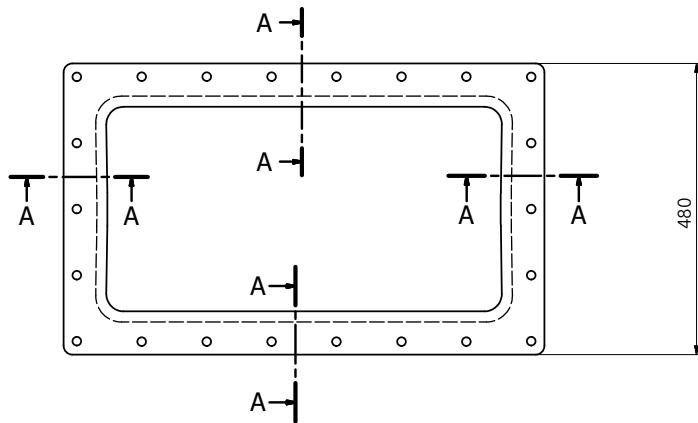
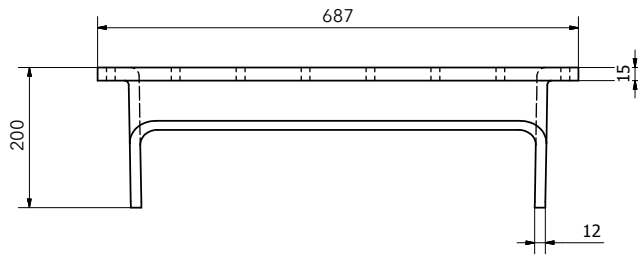


Fig3 SRF 300 GRP

