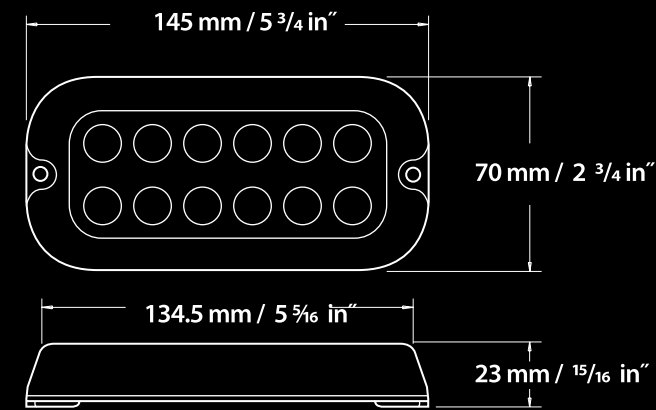


FF12 Surface Mount

The FF12 Surface Mount offers the ultimate performance where a surface mounted underwater light is the only option.

The FF12 has replaced the very successful FF9 with a new design, higher output and built in thermo control allowing greater life and wider applications. The FF12 caters to all boats where a thru-hull fitting is not possible. The FF12 is a fully self contained fitting with a simple 2 wire installation. It produces both distance and width from the one fitting and can be mounted on any flat surface.



Technical Specifications

- Cable length 2 metres (6 feet) of tinned submersible cable
- Cable diameter 6mm/1/4 inch
- Can accept 12 or 24 volt dc
- Current draw less than 2 amps @ 12 volt dc and 1 @ 24 volt dc
- High-tech polymer housing
- Reverse polarity protected
- Long life, high output 12 LED light engine
- Low cost installation
- Fitting kit contains mounting screws and drilling template
- Recommended for any vessel where thru-hull applications are not suited
- Available in Brilliant White and Ultra Blue
- 2 year warranty

Brilliant White

- Color temperature 9000 to 10000 degrees Kelvin (the colder the white the further it travels in water)
- Fixture Lumens : 2000 lm
- Fixture Lumens Lowlight Conditions : 4390 lm



Ultra Blue

- Color temperature 470nm (the color that travels further in salt water than any other)
- Fixture Lumens : 600 lm
- Fixture Lumens Lowlight Conditions : 10460 lm

