



**SPECTRA**  
WATERMACHINES™

# Ventura 150

*Modular System*



**150 gal/day Watermachine**

# Ventura 150

## *Spectra's Smallest and Easiest to Operate Watermachine*

At last! A Spectra Watermaker designed and engineered for the smaller vessel. The Ventura 150 difference is its energy efficiency, light weight, and self regulating system. The Ventura is an affordable, and compact watermaker with all the great features Spectra has become known for. The Ventura 150 is easy to install and use, quiet, very energy efficient, and it delivers over six gallons of fresh product water (24 liters) per hour. It's ideal for installation in limited spaces on cruising and racing vessels. The exclusive Spectra High-Pressure Clark Pump Intensifier maintains the proper pressures in the membrane throughout a wide range of temperatures and water conditions without any adjustments or loss of product water output. The machine's composite construction is corrosion resistant for superior reliability. All this while producing 150 gallons a day!

With a Ventura 150, there is no reason to compromise your creature comforts while cruising. You will have plenty of fresh water left over for boat and gear. Every Ventura comes complete and ready to install. Spectra's High Pressure Clark Pump Intensifier is factory mounted with a 20 inch membrane in a Spectra high pressure vessel assembly. All high-pressure piping is pre-plumbed at the factory. Module brackets allow for installation in any orientation. The Ventura 150 system is available in two versions: The **Manual Deluxe Version** which includes an instrument panel with analog pressure gauge and product flow meter, a hand-held salinity monitor and intake feed-pump module with cooling fan and manual fresh water flush and the **Ventura 150 MPC** with the same features as the *Manual Deluxe version*, except the analog pressure gauge and product flow meter is replaced by the digital MPC 3000 Control Panel. The system also includes a complete installation kit, installation and operation manual, and warranty registration card. All that you need to provide is the two thru-hull fittings and electrical hook ups.

Every Spectra Watermaker comes with a One Year Complete Limited Warranty and is available through Spectra's worldwide distributor network.

### **MPC-3000 Controller**

*Simple one button operation*

All Ventura 150 functions are displayed in a 5.25" x 3.75" control display panel located in a convenient space of your choosing away from the watermaker. Multiple control display panels can be added for even more monitoring convenience. The electrical control box has a built-in manual override so the watermaker also works without the MPC-3000 electronic control.

### ***Just set it and forget it!***

MPC-3000 displays the pre-filter condition, feed water pressure, water tank full status (with optional tank switch), product water quality, flow rate and total system hours. One touch to the MPC-3000 touch pad sets the Ventura 150 in motion. Reject water is automatically diverted back to the ocean by the MPC-3000 controller, the desired amount of water fills the storage tanks, the system flushes itself clean and shuts itself off. You can set the controller to keep your Ventura 150 in a fresh water storage state for as long as you like.

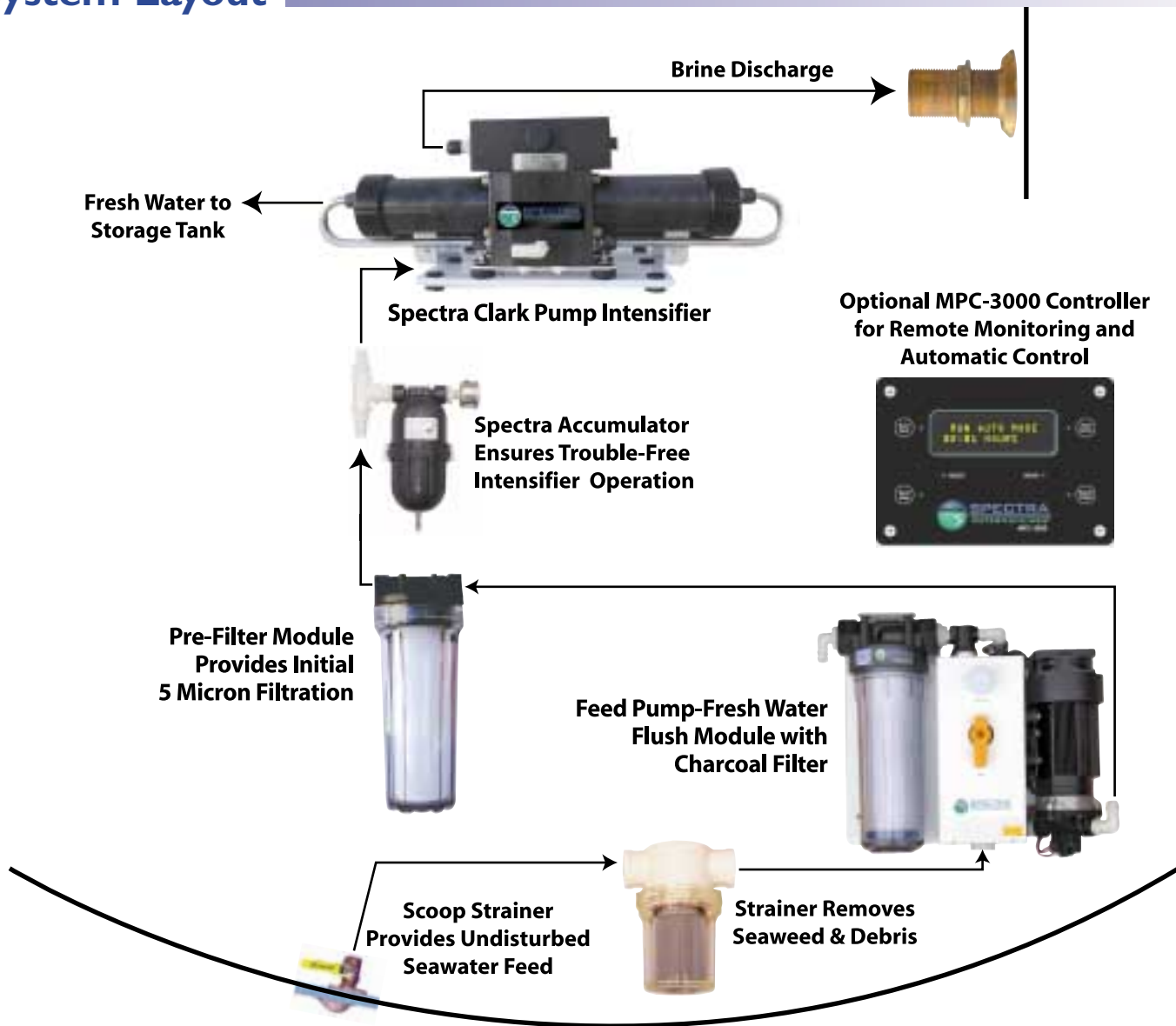
### **Leaving the vessel for a while?**

Just press the *Auto-Store* button and the MPC-3000 controller will do an automatic flush every 5 days. No more worries about messy storage chemicals. And when you return to your vessel, your system is ready to start up and go.

Z-Brane™ keeps your system clean without chemicals. Top off your Spectra system with the new Z-Brane™. This revolutionary technology keeps Ventura 150 clean and free of bio-fouling and scaling. Cleaning with chemicals substantially shortens the usable life of reverse osmosis membranes. The Z-Brane™ eliminates the need for harsh chemicals used to clean and store your watermaker.

**Ask your distributor** about the Z-Brane™ and Z-Guard™ protection systems.

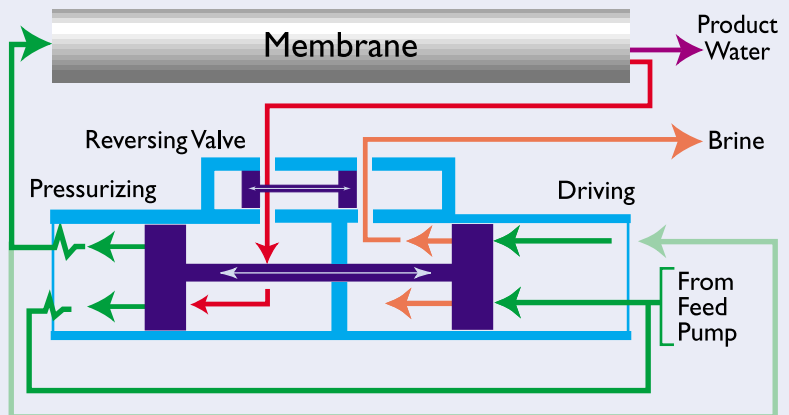
# System Layout



## Spectra's Exclusive Intensifier – Quiet, Efficient, Reliable

### Spectra's Exclusive Two Stage Intensifier System *Revolutionary Watermaking Development*

In 1997 Spectra pioneered a new and highly efficient watermaker system. The Spectra Intensifier reduces energy consumption by as much as 75% over conventional systems. Units are constructed of modern composites and engineered plastics to deliver many years of quiet, reliable service. Spectra has tens of thousands of hours of field experience and a worldwide service network.



*Continued on reverse side*

**Got an unusual application? Call a Spectra Tech at 415 526-2780**

# Ventura 150 Specifications

## WATER PRODUCTION

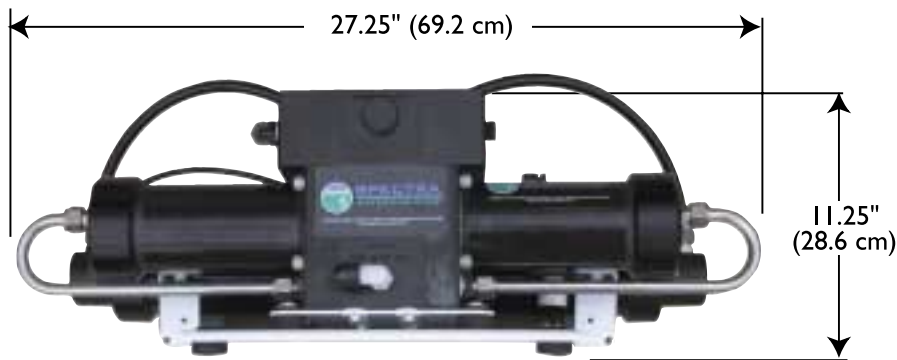
	Gallons per Day / Hr	(Liters per Day / Hr)
Output with 77°F/25°C seawater	150 / 6.3	(568 / 24)
Rated at 77°F (25°C) Seawater Temperature at 35,000 PPM Dissolved Solids +/-15%		

## POWER REQUIREMENTS

Pump Horsepower	1/8
Watt/Hr per Gallon	17
Amp/Hr per Gallon (12 VDC)	1.4
Current Draw (12 VDC)	9 Amps

## SYSTEM TOTAL WEIGHT (Dry)

Ventura 150	44 Lb (20.0 kg)
Ventura 150 MPC	52 Lb (23.6 kg)



Depth = 12" (30.5 cm)  
**Spectra High Pressure Pump**



Depth = 6" (15.3 cm)  
**Ventura Feed Pump Module**



**Pre-Filter Module**



**SPECTRA**  
WATERMACHINES™

**Spectra Watermakers, Inc.**

20 Mariposa Road, San Rafael, CA 94901  
phone: 415 526-2780 • fax: 415 526-2787  
www.spectrawatermakers.com

Distributor