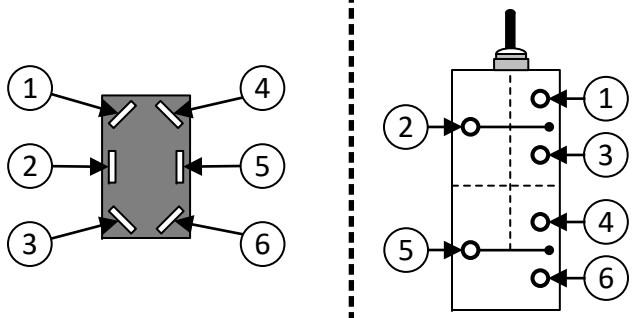
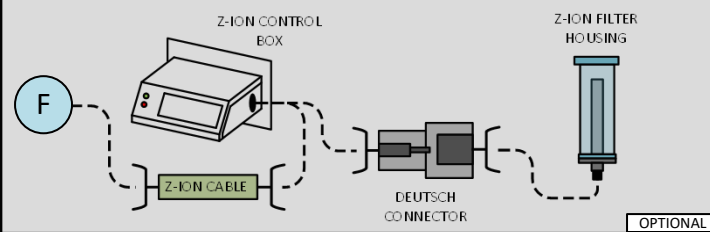


Detail View 1: DPDT Switch Operational Schematic



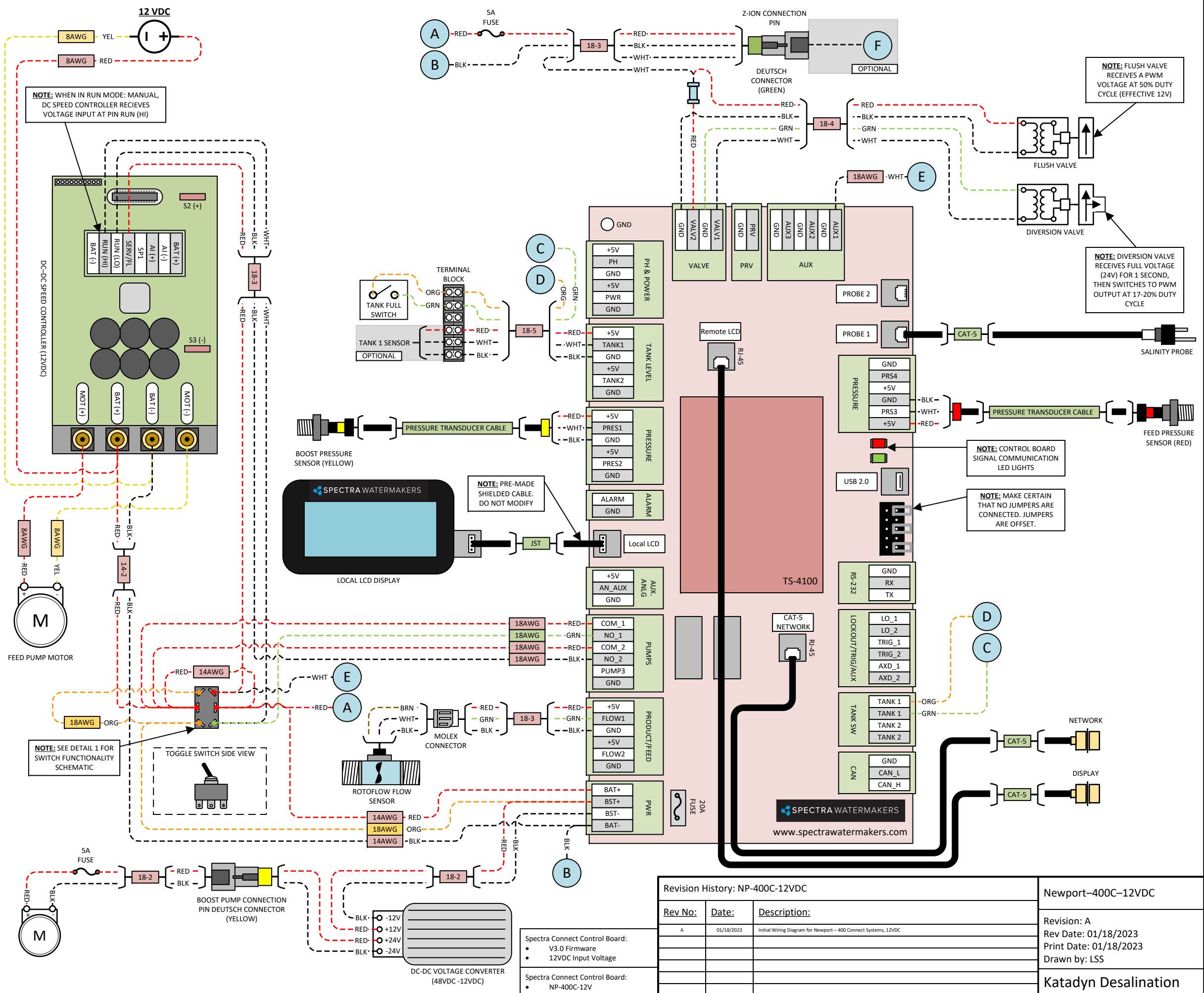
RUN (AUTO): MIDDLE – NO CONNECTIONS MADE
RUN (MANUAL): DOWN – PIN 2 TO PIN 3, PIN 5 TO PIN 6
RUN (SERVICE): UP – PIN 2 TO PIN 1, PIN 5 TO PIN 4

Detail View 2: Z-Ion Wiring/Connection (Optional)



List of Symbols: KEY

BLK	WIRE COLOR LABEL – INDICATES A BLACK WIRE
RED	WIRE COLOR LABEL – INDICATES A RED WIRE
WHT	WIRE COLOR LABEL – INDICATES A WHITE WIRE
GRN	WIRE COLOR LABEL – INDICATES A GREEN WIRE
YEL	WIRE COLOR LABEL – INDICATES A YELLOW WIRE
ORG	WIRE COLOR LABEL – INDICATES AN ORANGE WIRE
18-2	WIRE GAUGE LABEL – INDICATES A GAUGE FOR A CABLE OF MULTIPLE WIRES, FORMATED AS (WIRE GAUGE)-(NUMBER OF WIRES IN CABLE)
18AWG	WIRE GAUGE LABEL – INDICATES A GAUGE FOR A SINGLE WIRE
[CAT5 Icon]	CAT5 ETHERNET CONNECTION PORT
[USB Icon]	USB CONNECTION PORT
[LCD Icon]	LCD-JST CONNECTION PORT
[Wiring Node Icon]	WIRING NODE – WIRE BUTT SPLICE CONNECTION
[Fuse Icon]	FUSE – NECESSARY SIZING INFORMATION CALLED OUT ON WIRING DIAGRAM
[Cabling Icon]	CABLING – JST AND CAT5 PRE-FABRICATED CABLES
[Wiring Line Icon]	WIRING – SINGLE WIRE BLACK OR WHITE – TYPICAL COMM COLOR
[Wiring Line Icon]	WIRING – SINGLE WIRE RED – TYPICAL ENERGIZED COLOR
[Wiring Line Icon]	WIRING – SINGLE WIRE YELLOW – TYPICAL NEUTRAL COLOR
[Wiring Line Icon]	WIRING – SINGLE WIRE GREEN – TYPICAL GROUNDING COLOR
[Wiring Line Icon]	WIRING – SINGLE WIRE ORANGE – TYPICAL POWER SIGNALING COLOR
A	NOTATION – WIRE CONTINUITY SYMBOL INDICATES CONTINUITY BETWEEN MATCHING ALPHABETIC SYMBOLS – LARGE ALPHABETIC CIRCLE



Revision History: NP-400C-12VDC

Rev No:	Date:	Description:
A	01/18/2023	Initial Wiring Diagram for Newport – 400 Connect Systems, 12VDC

Newport-400C-12VDC
 Revision: A
 Rev Date: 01/18/2023
 Print Date: 01/18/2023
 Drawn by: LSS
 Katadyn Desalination

- Spectra Connect Control Board:
 - V3.0 Firmware
 - 12VDC Input Voltage
- Spectra Connect Control Board:
 - NP-400C-12V