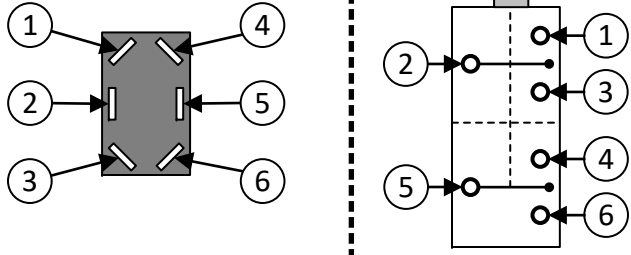
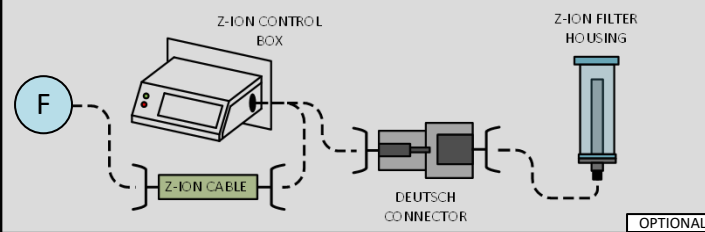


Detail View 1: DPDT Switch Operational Schematic

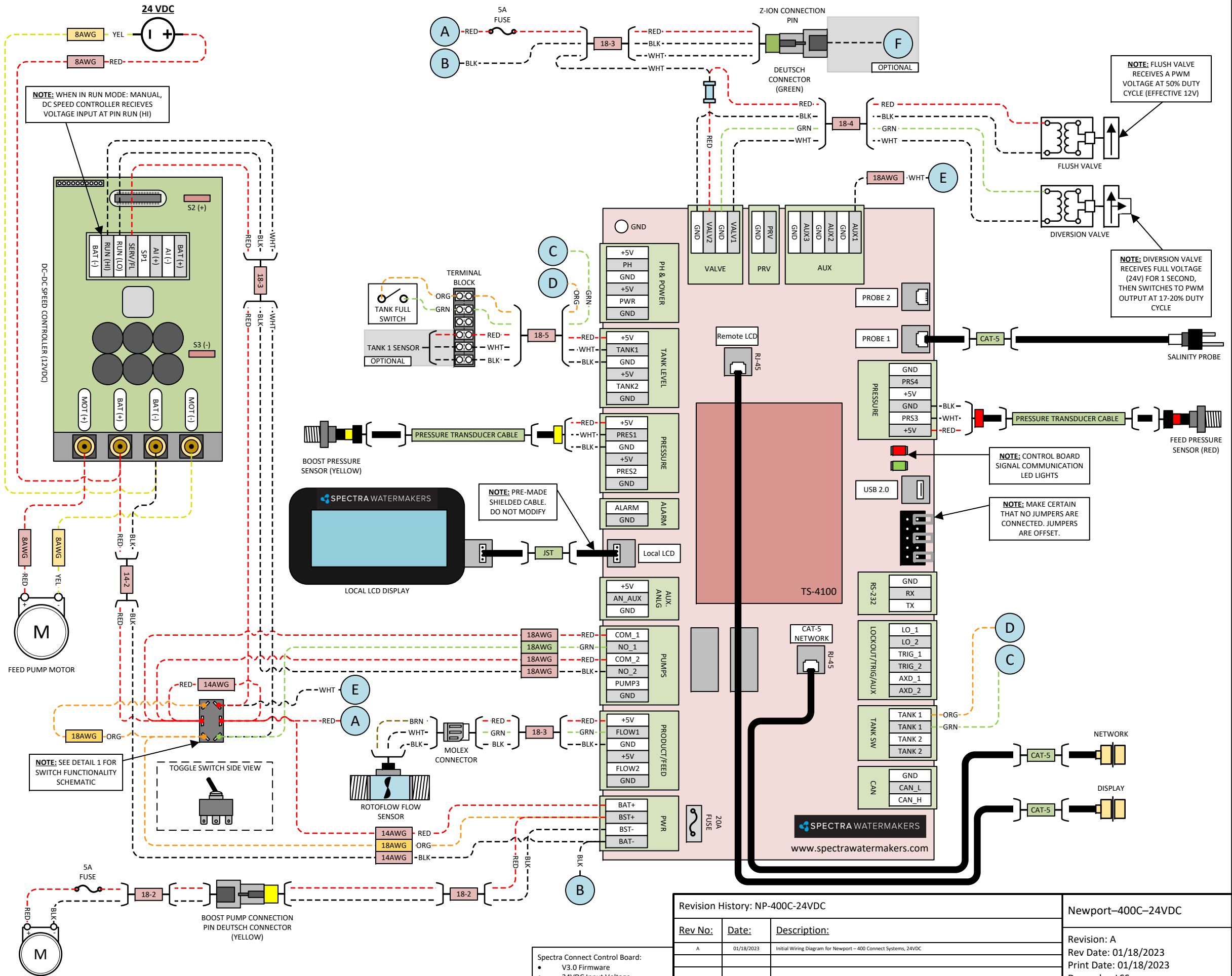


Detail View 2: Z-Ion Wiring/Connection (Optional)



List of Symbols: KEY

BLK	WIRE COLOR LABEL – INDICATES A BLACK WIRE
RED	WIRE COLOR LABEL – INDICATES A RED WIRE
WHT	WIRE COLOR LABEL – INDICATES A WHITE WIRE
GRN	WIRE COLOR LABEL – INDICATES A GREEN WIRE
YEL	WIRE COLOR LABEL – INDICATES A YELLOW WIRE
ORG	WIRE COLOR LABEL – INDICATES AN ORANGE WIRE
18-2	WIRE GAUGE LABEL – INDICATES A GAUGE FOR A CABLE OF MULTIPLE WIRES, FORMATED AS (WIRE GAUGE)-(NUMBER OF WIRES IN CABLE)
18AWG	WIRE GAUGE LABEL – INDICATES A GAUGE FOR A SINGLE WIRE
[Icon]	CAT5 ETHERNET CONNECTION PORT
[Icon]	USB CONNECTION PORT
[Icon]	LCD-JST CONNECTION PORT
[Icon]	WIRING NODE – WIRE BUTT SPLICE CONNECTION
[Icon]	FUSE – NECESSARY SIZING INFORMATION CALLED OUT ON WIRING DIAGRAM
[Icon]	CABLING – JST AND CAT5 PRE-FABRICATED CABLES
---	WIRING – SINGLE WIRE BLACK OR WHITE – TYPICAL COMM COLOR
- - -	WIRING – SINGLE WIRE RED – TYPICAL ENERGIZED COLOR
- - -	WIRING – SINGLE WIRE YELLOW – TYPICAL NEUTRAL COLOR
- - -	WIRING – SINGLE WIRE GREEN – TYPICAL GROUNDING COLOR
- - -	WIRING – SINGLE WIRE ORANGE – TYPICAL POWER SIGNALING COLOR
A	NOTATION – WIRE CONTINUITY SYMBOL INDICATES CONTINUITY BETWEEN MATCHING ALPHABETIC SYMBOLS – LARGE ALPHABETIC CIRCLE



Revision History: NP-400C-24VDC			Newport-400C-24VDC
Rev No:	Date:	Description:	
A	01/18/2023	Initial Wiring Diagram for Newport-400 Connect Systems, 24VDC	Revision: A
			Rev Date: 01/18/2023
			Print Date: 01/18/2023
			Drawn by: LSS
			<b>Katadyn Desalination</b>

- Spectra Connect Control Board:
  - V3.0 Firmware
  - 24VDC Input Voltage
- Spectra Connect Control Board:
  - NP-400C-24V