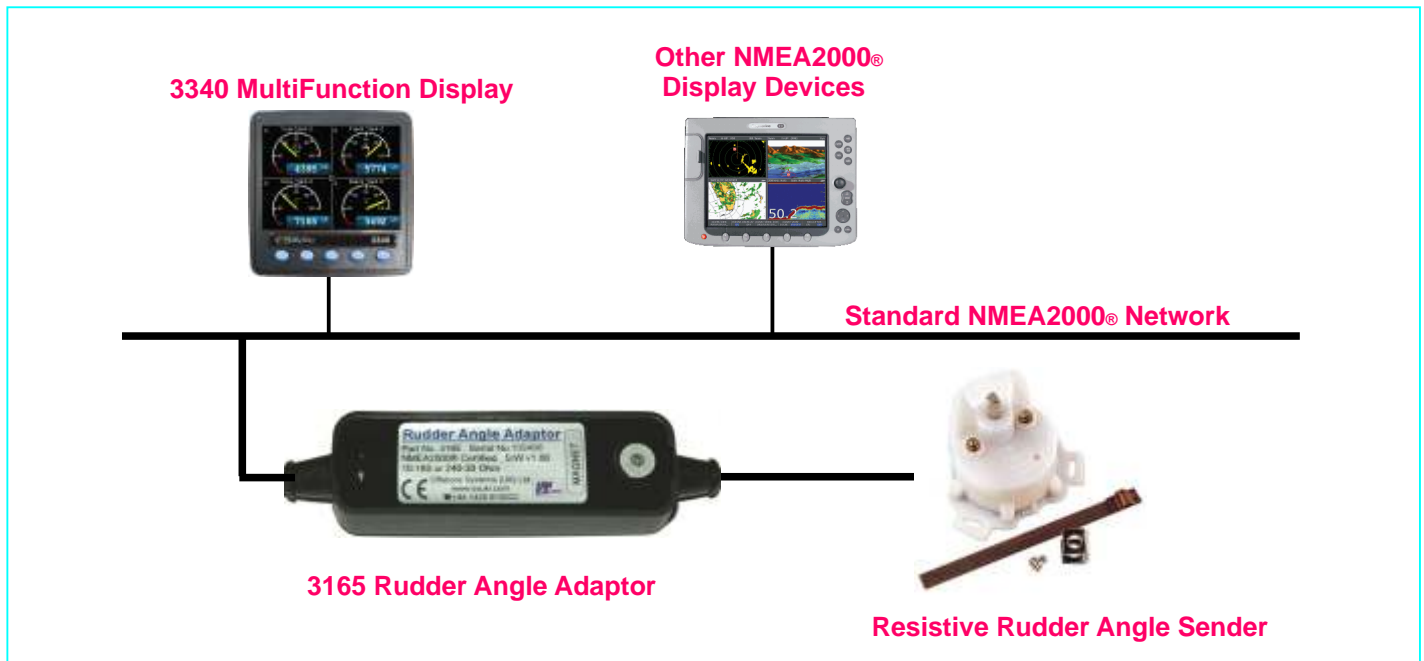


NMEA2000 Rudder Angle Adaptor



- **Adapts European or American standard resistive senders to NMEA2000®**
- **Port / Starboard indicator LEDs simplify mechanical installation**
- **Switch settable Device Instance**
- **No calibration required**
- **No complicated menu setups required**
- **Very low power**
- **Certified to NMEA2000®**

The Offshore Systems 3165 Rudder Angle Adaptor allows standard European or American standard resistive rudder angle senders to transmit their rudder position over the NMEA2000 network.

The unit is designed to greatly simplify installation with NO user setup or calibration required and NO display menus to struggle through.

In multiple rudder installations the sender type selection and the device instance setup is simply done with the small rotary switch on the unit.

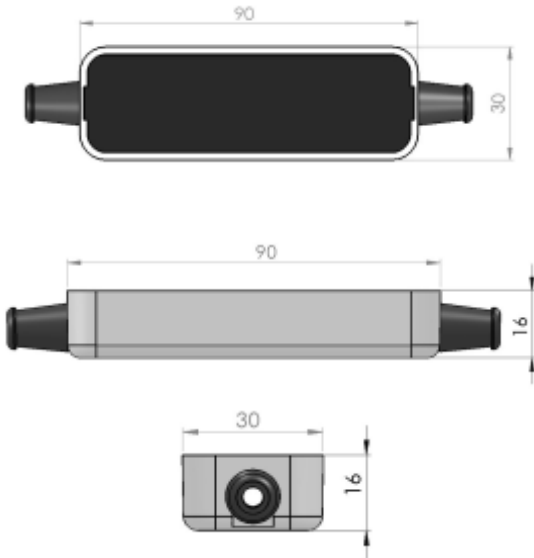
The 3165 has a red port LED and a green starboard LED that flash to indicate the unit is transmitting the appropriate rudder position. The mechanical setup of the rudder angle sender is greatly simplified by setting the rudder midships and then adjusting the linkage to the sender until both LEDs illuminate when the sender is also at midships.

It comes with a 1 metre NMEA2000 cable and a 2 metre rudder sensor cable to allow the unit to be placed in a convenient location. It is fully waterproof to IP67 and ruggedly constructed for years of reliable and accurate service.

The unit comes with a detailed User Manual and is certified to the NMEA2000 network standard.

NMEA2000 Rudder Angle Adaptor

Part No. 3165



Certifications		
NMEA2000	Level B	
Maritime Nav & RadioComm	IEC60945	
CE & FCC	Electromagnetic Compatibility	
NMEA2000 Parameter Group Numbers (PGNs)		
Type	PGN No.	PGN Name
Periodic	PGN127245	Rudder
Protocol	PGN126464	Tx/Rx PGN List
	PGN126996	Product Information
	PGN059392	ISO Acknowledge
	PGN059904	ISO Request
	PGN060928	ISO Address Claim
	PGN126208	Command/Request Group
Electrical and Mechanical		
Operating Voltage	9 to 32 Volts	
Power Consumption	< 50mA	
Load Equivalence Number	1	
Reverse Battery Protection	Indefinitely	
Load Dump Protection	Yes to SAE J1113	
Size	90 x 30 x 16mm	
Weight	225 grams	
Environmental		
IEC06954 Classification	Exposed	
Degree of protection	IP67	
Operating Temperature	-25C to 50C	
Storage Temperature	-40C to 70C	
Relative Humidity	93%RH @ 40C per IEC 60945-8.2	
Electromagnetic Emission	Conduct/Radiated per IEC 60945-9	
Electromagnetic Immunity	Conducted/Radiated per IEC 60945-10	

Copyright © 2011 Offshore Systems (UK) Ltd. All rights reserved. Our policy is one of continuous product improvement so product specifications are subject to change without notice. Offshore Systems products are designed to be accurate and reliable. However, they should be used only as aids to vessel monitoring, and not as a replacement for traditional navigation and vessel monitoring techniques.

Offshore Systems (UK) Ltd
 Unit 11 Milton Business Centre, Wick Drive
 New Milton, Hampshire, BH25 6RH, United Kingdom
 Tel: +44(0)1425 610022 Fax: +44(0)1425 614794
 Email: mail@osukl.com Web: www.osukl.com