



**Manual** EN

**Handleiding** NL

**Manuale** FR

**Anleitung** DE

**Manual** ES

**Manual** SE

## **VE.Net Battery Controller**

VBC 12-24-48V



Copyrights © 2009 Victron Energy B.V.  
All Rights Reserved

This publication or parts thereof, may not be reproduced in any form, by any method, for any purpose.

For conditions of use and permission to use this manual for publication in other than the English language, contact Victron Energy B.V.

VICTRON ENERGY B.V. MAKES NO WARRANTY, EITHER EXPRESSED OR IMPLIED, INCLUDING BUT NOT LIMITED TO ANY IMPLIED WARRANTIES OF MERCHANTABILITY OR FITNESS FOR A PARTICULAR PURPOSE, REGARDING THESE VICTRON ENERGY PRODUCTS AND MAKES SUCH VICTRON ENERGY PRODUCTS AVAILABLE SOLELY ON AN "AS IS" BASIS.

IN NO EVENT SHALL VICTRON ENERGY B.V. BE LIABLE TO ANYONE FOR SPECIAL, COLLATERAL, INCIDENTAL, OR CONSEQUENTIAL DAMAGES IN CONNECTION WITH OR ARISING OUT OF PURCHASE OR USE OF THESE VICTRON ENERGY PRODUCTS. THE SOLE AND EXCLUSIVE LIABILITY TO VICTRON ENERGY B.V., REGARDLESS OF THE FORM OF ACTION, SHALL NOT EXCEED THE PURCHASE PRICE OF THE VICTRON ENERGY PRODUCTS DESCRIBED HERE IN.

Victron Energy B.V. reserves the right to revise and improve its products as it sees fit. This publication describes the state of this product at the time of its publication and may not reflect the product at all times in the future.



# 1 INTRODUCTION

Victron Energy has established an international reputation as a leading designer and manufacturer of energy systems. Our R&D department is the driving force behind this reputation. It is continually seeking new ways of incorporating the latest technology in our products. Each step forward results in value-added technical and economical features.

## 1.1 *Introduction to VE.Net*

VE.Net stands for Victron Energy Network. It allows all VE.Net compatible devices to communicate with each other. This means that the charger for example can get information from the battery monitor to optimize the charge current. It is possible to control and monitor all your VE.Net devices from a single VE.Net compatible control panel. This saves space and allows you to control all your devices from one place. It is however, not necessary to be limited to a single panel. Multiple panels can be used on the network, allowing full control and monitoring capabilities of all devices in multiple locations.

## 1.2 *The VE.Net Battery Controller*

The VE.Net Battery Controller (VBC) is a device that monitors your battery status. It constantly measures the battery voltage, battery current, and battery temperature, and uses this information to calculate the state of charge of your battery. This information can then be viewed on a VE.Net Panel (VPN), or VE.Net Blue Power Panel (BPP). When used with a Blue Power Panel, the VBC can be used to provide a graphical overview of your battery system.

## 1.3 *Why should you monitor your batteries?*

The lifetime of your batteries depends on many factors. If the batteries and the load process are monitored you can prevent your batteries from being under or over charged, or from being discharged too deeply. A battery controller warns you if there is something wrong with the charge current or with the general condition of the batteries.

#### **1.4 How does the VE.Net Battery Controller work?**

The capacity of a battery is rated in Amp hours (Ah). For example, a battery that can deliver a current of 5 Amps for a period of 20 hours is rated at 100 Ah ( $5 * 20 = 100$ ). The VBC continuously measures the net current flow into or out of the battery. This way it can calculate the amount of energy removed from or added to the battery. But since battery age, discharge current and temperature all influence the battery's capacity; you cannot rely simply on an Amp hours reading. When the same 100 Ah battery is discharged completely in two hours, it may only give you 56 Ah (because of the higher rate of discharge).

As you can see the battery's capacity is almost halved. This phenomenon is called Peukert efficiency (see chapter 4.1.2). Also, when the temperature of the battery is low, its capacity is decreased even more. This is why simple Amp hour counters or Voltmeters give you far from an accurate state of charge indication.

The VBC can display both the Amp hours removed (not compensated) and the actual state of charge (compensated by Peukert efficiency and charge efficiency). Reading the state of charge is the best way to read your battery. This parameter is shown as a percentage, where 100 % represents a fully charged battery and 0% represents a completely flat battery. You can compare this with a fuel-gauge in a car.

The VBC also makes an estimation of how long the battery can support the present load (time to go). This is the time remaining until the battery needs to be charged again (50 % state of charge). Discharging the battery below 50 % significantly reduces the service life of the battery. If the battery load is fluctuating heavily it is best not to rely on this reading too much since it is a momentary readout and should be used as a guideline only. We always encourage the use of the state of charge readout for accurate battery monitoring.

## 2 INSTALLATION OF YOUR BATTERY MONITOR

### 2.1 Safety precautions!

1. Working in the vicinity of a lead acid battery is dangerous. Batteries can generate explosive gases during operation. Never smoke or allow a spark or flame in the vicinity of a battery. Provide sufficient ventilation around the battery.
2. Wear eye and clothing protection. Avoid touching eyes while working near batteries. Wash your hands when done.
3. If battery acid contacts skin or clothing, wash immediately with soap and water. If acid enters an eye, immediately flood the eye with running cold water for at least 15 minutes and get medical attention immediately.
4. Be careful when using metal tools in vicinity of batteries. Dropping a metal tool onto a battery might cause a short-circuit and, possibly an explosion.
5. Remove personal metal items such as rings, bracelets, necklaces, and watches when working with a battery. A battery can produce a short-circuit current high enough to melt such items, leading to severe burns.

**Note:** All instructions referring to the VPN also refer to the BPP, unless otherwise noted.

To install your VBC you will need:

1. A shunt. The standard supplied shunt is 500 A / 50 mV, but any shunt with a current indication up to 100 mV can be used.
2. Standard supplied two wire flexible connection cable AWG21/0.4 mm<sup>2</sup> (for the shunt).
3. Standard supplied two wire flexible connection cable AWG21/0.4 mm<sup>2</sup> with inline fuse holder and 1 A slow blow fuse (for power).
4. Standard supplied temperature sensor.
5. Cat5 cable with two RJ45 connectors (to connect a VE.Net Panel or other VE.Net device (not supplied)).

## 2.2 Mounting

The VBC can be mounted on a standard DIN rail. To ensure the best readout we recommend that you use the standard supplied cables and place the controller as close as possible to the batteries.

During prolonged periods of high current consumption, the shunt will become hot. It is therefore recommended that the shunt be mounted with the blades oriented vertically to allow optimal air-flow.

## 2.3 Wiring and jumpers

First connect the wiring as shown in figure 1 below, without the fuse. The thick lines represent the main current path cables; these should be of a heavy duty type. After installation, and checking all the connections place the fuse to power the battery controller.

Connect the Battery Controller to a VE.Net Panel (VPN) or other VE.Net device using a standard straight Cat5 cable. The total length of Cat5 cables used in a VE.Net network should not exceed 100 m.

**Note:** The shunt and temperature sensor should be the only wires connected to the negative terminal of the battery. The negative connections of all other devices (including chargers) must be made to the load side of the shunt (system ground). If devices are connected directly to the negative terminal of the battery the VBC will be unable to measure their current flow, and will give incorrect readings.

**Note:** Do not connect any other wires to the shunt measurement output, as this will affect the accuracy of the readings.



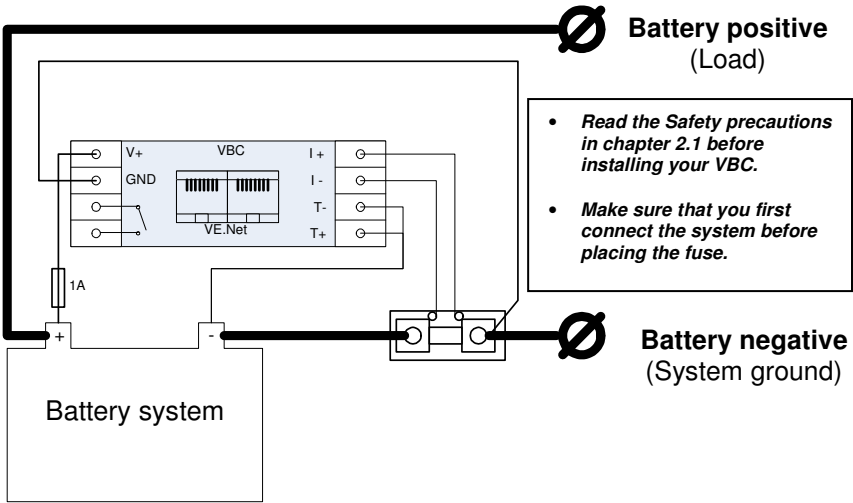
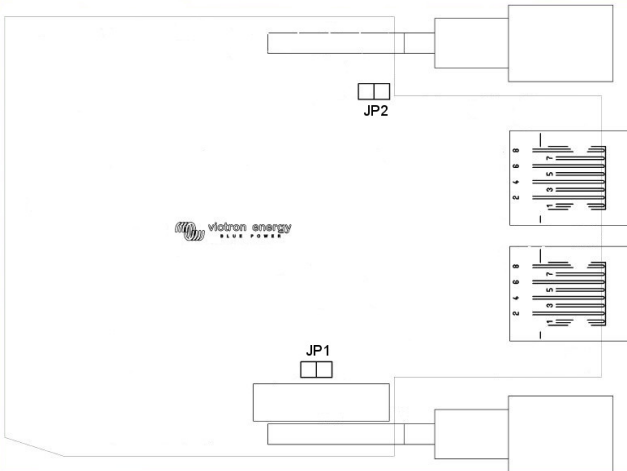


Figure 1

The VBC is capable of providing power to other VE.Net devices on the network. If another device is to supply power to VE.Net instead, remove jumpers JP1 and JP2 shown in figure 2.

Figure 2

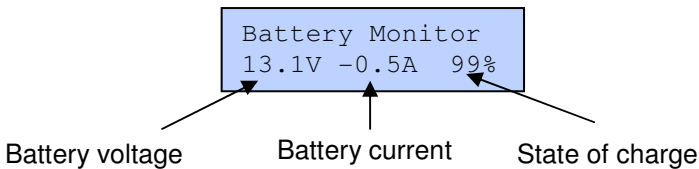


### 3 USING YOUR BATTERY MONITOR

All control of the VBC is provided through the VPN. To switch on the VPN, hold down one of the buttons until the VPN beeps. When the VPN has finished starting up, the device list will be displayed. If there are other VE.Net devices connected, it may be necessary to press “▼” until the Battery Controller is displayed. For more information on using the VPN, refer to the VPN manual.

#### 3.1 Quick status line

In the root menu of the VPN you will see this screen, which consists of the name of the VBC and the “quick status” line.



#### Notes:

1. You can always return to this position by pressing “Cancel” repeatedly.
2. The state of charge is only displayed when the VBC is synchronised (see chapter 4.1.3 for more information).

### 3.2 Main menu

To view more detailed information, press the “Enter” button to enter the VBC menu.

Name	Description	Units
Battery voltage	Displays the voltage of the battery.	Volts.
Battery current	Displays the DC current that flows into or out of the battery.	Amps.
Consumed Ah	Displays the energy consumed since the battery was last fully charged.	Amp hours.
State of charge	The state of charge indicates the percentage of the battery capacity that is still available for consumption. A full battery will show 100 %, and an empty battery will display 0 %. This is the best way to see when the batteries need to be recharged.	Percent .
Time to go	Displays the estimated time, based on the current load, before the batteries need to be recharged.	Hours and minutes .
Bat. temperature	Displays the battery temperature.	Degree s Celsius.
Software version	The software version of this device.	

### 3.3 Historic data

The VBC will keep track of historical data to enable you to get more information about the state and the past use of the batteries.

#### 3.3.1 Where to find the “Historical data” menu

```
Battery Monitor
13.1V -0.5A 99%
```

Step 1) Press “Enter” to enter the VBC menu.

```
Battery voltage
13.10 V
```

Step 2) Press “▼” to scroll through the menu until you see ‘Historic Data’.

Historic data  
[Press enter]

Step 3) Press “Enter” to enter the Historic data menu

### 3.3.2 Historical data explained

Historic data		
Name	Description	Unit
Deepest discharg	The deepest discharge in Ah.	Amp hours.
Depth last disch	The depth of the last discharge in Ah. This value will be reset to 0 when the State of Charge reaches 100 % again.	Amp hours.
Average discharg	The average discharge over all the cycles counted	Amp hours.
Number of cycles	Every time the battery is discharged below 65 % of its rated capacity and charged back to at least 90 %, one cycle is counted.	
Full discharges	The number of times the battery has been discharged to a 0% state of charge.	
Cumulative Ah	Records the total energy consumed over all charge cycles.	Amp hours.
Last full charge	The time that has elapsed since the battery was last fully charged.	Days.
Maximum voltage	Maximum measured. Can be used to check for faulty chargers and alternators.	Volts.
Minimum voltage	Lowest measured. Can be used to check if the batteries have been excessively discharged	Volts.

## 4 SETUP

### 4.1 Background information

#### 4.1.1 Charge efficiency factor

During battery charging, not all of the energy transferred into the battery is available when the battery is being discharged. The charge efficiency factor (CEF) of a brand new battery is approximately 90 %. This means that 10 Ah must be transferred to the battery to get 9 Ah actually stored in the battery. The CEF of a battery will decrease as the battery ages.

#### 4.1.2 Peukert's exponent

As mentioned in chapter 1.4, the Peukert efficiency describes how, when you discharge a battery faster than the 20 hr rating, its Ah capacity decreases. The amount of battery capacity reduction is called the 'Peukert exponent' and can be adjusted from 1.00 to 1.50. The higher the Peukert exponent the faster the battery size shrinks with increasing discharge rate. An ideal (theoretical) battery has a Peukert exponent of 1.00 and has a fixed capacity; regardless of the size of the discharge current. Of course such batteries do not exist, and a setting of 1.00 in the VBC is only implemented to bypass Peukert compensation. The default setting for the Peukert exponent is 1.25, and is an acceptable average value for most types of lead acid battery. However for precise battery monitoring, entering the right Peukert exponent is essential. If the Peukert exponent is not provided with your battery, you can calculate it by using other specifications which should be provided with your battery.

The Peukert equation is stated below:

$$C_p = I^n \cdot t \quad \text{where the Peukert exponent, } n = \frac{\log t_2 - \log t_1}{\log I_1 - \log I_2}$$

The battery specifications needed for calculation of the Peukert exponent, are the rated battery capacity (usually the 20 hr discharge rate<sup>1</sup>) and for example a 5 hr discharge rate<sup>2</sup>. See below for an example of how to define the Peukert exponent using these two specifications.

<sup>1</sup> Please note that the rated battery capacity can also be defined as the 10 hr or even 5 hr discharge rate.

<sup>2</sup> The 5hr discharge rate in this example is arbitrary. Make sure that besides the C<sub>20</sub> rating (low discharge current) you choose a second rating with a substantially higher discharge current.

5 hr rating

$$C_{5hr} = 75Ah$$

$$t_1 = 5hr$$

$$I_1 = \frac{75Ah}{5hr} = 15A$$

20 hr rating,

$$C_{20hr} = 100Ah \text{ (rated capacity)}$$

$$t_2 = 20hr$$

$$I_2 = \frac{100Ah}{20hr} = 5A$$

Peukert exponent,  $n = \frac{\log 20 - \log 5}{\log 15 - \log 5} = \underline{1.26}$

When no ratings are given at all, you can measure your battery using a constant load bank. In this way a second rating can be obtained, together with the 20 hr rating which represents the rated battery capacity in most cases. This second rating can be determined by discharging a fully charged battery with a constant current; until the battery reaches 1.75 V per cell (which is 10.5 V for a 12 V battery or 21 V for a 24 V battery). A calculation example is shown below:

A 200 Ah battery is discharged with a constant current of 20 A and after 8.5 hours 1.75 V/cell is reached.

So,

$$t_1 = 8.5hr$$

$$I_1 = 20A$$

20 hr rating,

$$C_{20hr} = 200Ah$$

$$t_2 = 20hr$$

$$I_2 = \frac{200Ah}{20hr} = 10A$$

Peukert exponent,  $n = \frac{\log 20 - \log 8.5}{\log 20 - \log 10} = \underline{1.23}$

A Peukert calculator is available at [www.victronenergy.com](http://www.victronenergy.com).

#### 4.1.3 *Synchronising the battery monitor*

For a reliable readout of the state of charge of your battery, the battery monitor has to be synchronised regularly with the battery and charger. This is accomplished by fully charging the battery. When the charger is operating in the 'float' stage, the charger considers the battery full. At this moment the VBC must also determine that the battery is full. Now the Amp hour count can be reset to zero and the state of charge reading can be set to 100 %.

**When the voltage supply to the VBC has been interrupted, the battery monitor must be resynchronised before it can operate correctly.**

Please note that regularly (at least once per month) fully charging your battery not only keeps it in sync with the VBC, but also prevents substantial capacity loss of your battery which limits its lifetime.

#### 4.1.4 *Synchronisation parameters*

Based on increasing charge voltage and decreasing charge current, a decision can be made whether the battery is fully charged or not. When the battery voltage is above a certain level during a predefined period while the charge current is below a certain level for the same period, the battery can be considered fully charged. These values are called synchronisation parameters. In general for a 12 V lead acid battery, the synchronisation voltage is 13.2 V and the synchronisation current is 4.0 % of the total battery capacity (e.g. 8 A with a 200 Ah battery). A synchronisation time of 4 minutes is sufficient for most battery systems. Please note that these parameters are very important for correct operation of your VBC, and must be set appropriately in the corresponding menu items.

## 4.2 General settings

### 4.2.1 Where to find the “Setup monitor” menu

```
Battery Monitor
12.1V 0.0A 100%
```

Step 1) Press “Enter” to enter the VBC menu.

```
Battery voltage
12.10 V
```

Step 2) Press “▼” to scroll through the menu until you see “Setup monitor”.

```
Setup controller
[Press enter]
```

Step 3) Press “Enter” to enter the “Setup monitor” menu.

**Note:** If you cannot find the “Setup monitor” menu, make sure that your VPN is set to “user and install” mode.

### 4.2.2 Setup parameters explained

Setup monitor				
Name	Description	Default value	Range	Step size
Battery capacity	The battery capacity in amp hours (Ah) at a 20 h discharge rate.	200 Ah	20-65535	5
Sync. voltage	The battery controller considers the battery as fully charged if the voltage is above this level. This should be set slightly lower than the float voltage of the charger.	13.2 V	10-72	0.1
Sync. current	If the charge current is below this percentage of the battery capacity, the battery can be considered as fully charged.	4 %	1-10	1
Sync. time	The minimum time that the above two parameters must be met to consider the battery as fully charged.	4 min	1-4	1
Bat. temperature	If the connection to the temperature sensor is lost, this value is used in the calculations.	20 °C	0-50	1
Resync. to 100%?	Resets the state of charge manually to 100%.			
Device name	The name of the battery controller that is used in the VPN.	Battery Monitor		

The settings on the advanced menu allow fine control of the battery monitoring calculations performed by the VBC.



The default values are suitable for most battery systems, so do not adjust these settings without fully understanding the consequences.

Advanced				
Name	Description	Default value	Range	Step size
Charge eff. fact	When a battery is charged, energy is lost. The charge efficiency factor compensates for the lost energy, where 1 is no loss of energy and 0.5 is a 50% loss of energy.	0.9	0.5-1	0.05
Peukert exponent	The Peukert exponent for your battery (refer to chapter 4.1.2 for more information). Set to 1.00 to disable the Peukert compensation. Contact your battery manufacturer for the Peukert exponent.	1.25	1-1.5	0.01
Temperature coef	This is the percentage the battery capacity changes with temperature.	0.5	0.5-0.95	0.05
Current threshold	This value will be considered as zero amps, to ensure that errors are eliminated.	0.1 A	0-5	0.1
Shunt current	The maximum current rating of the shunt.	500 A	5-50000	5
Shunt voltage	The output voltage of the shunt at the maximum rated current.	50 mV	1-100	1
Current offset	Used to compensate for small errors in current measurement caused by unwanted offsets picked up by the measurement cables.	0 A	-60000 - 60000	0.01
Battery current	Duplicates the current reading from the top level menu. This allows the effects of changes to the current offset to be observed without having to navigate the menu hierarchy.			

### 4.3 Alarms

The VBC is equipped with a relay that can be configured to signal alarms; or when connected to a generator, to automatically start and stop the generator. Alarms can also be sent to the VPN, which can be configured to sound an alarm, or control another relay. Each alarm type can be configured to activate the relay, send a panel alarm, or both. They can also be completely disabled.

#### 4.3.1 Where to find the "Setup alarms" menu

```
Battery Monitor
12.1V 0.0A 100%
```

Step 1) Press "Enter" to enter the VBC menu.

```
Battery voltage
      12.10 V
```

Step 2) Press “▼” to scroll through the menu until you see “

```
Setup alarms
[Press enter]
```

Step 3) Press “Enter” to enter the “Setup alarms” menu.

**Note:** If you cannot find the “Setup alarms” menu, make sure that your VPN is set to “user and install” mode.

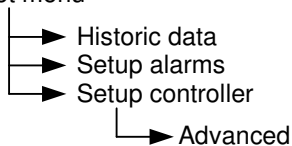
### 4.3.2 Alarm options explained

Setup alarms				
Name	Description	Default Value	Range	Step size
Low voltage	The level below which a low voltage alarm will be triggered.	10.5 V	10-72	0.1
Low voltage clr	The level above which a low voltage alarm will be cleared.	10.5 V	10-72	0.1
Low volt action	The type of action to take when a low voltage alarm is active.	None	None, Relay, Panel, Both	
High voltage	The level above which a high voltage alarm will be triggered.	16 V	10-72	0.1
High voltage clr	The level below which a high voltage alarm will be cleared.	16 V	10-72	0.1
High volt action	The type of action to take when a high voltage alarm is active.	None	None, Relay, Panel, Both	
Low SOC	The level below which a low state of charge alarm will be triggered.	80 %	0-100	1
Low SOC clr	The level above which a low state of charge alarm will be cleared.	80 %	0-100	1
Low SOC action	The type of action to take when a low state of charge alarm is active.	None	None, Relay, Panel, Both	
Low current	The level below which a low current alarm will be triggered.	-100 A	-30000 – 0	5
Low current clr.	The level above which a low current alarm will be cleared.	-90 A	-30000 – 0	5
Low current action	The type of action to take when a low current alarm is active.	None	None, Relay, Panel, Both	
High current	The level above which a high current alarm will be triggered.	100	0 – 30000	5
High current clr	The level below which a high current alarm will be cleared.	90	0 – 30000	5

Setup alarms				
Name	Description	Default Value	Range	Step size
High cur. action	The type of action to take when a high current alarm is active.	None	None, Relay, Panel, Both	
Enable delay	The amount of time an alarm condition must be present in order to trigger the alarm.	0 s	0 – 255	1
Disable delay	The amount of time an alarm clear condition must be present in order to disable the alarm.	0 s	0 – 255	1
Min. enable time	The minimum amount of time the relay may remain closed once an alarm condition has occurred.	0 min	0 – 255	1

#### 4.4 Menu structure overview

Root menu



## 5 TECHNICAL DATA

Supply voltage range	9 ... 70 VDC
Supply current	
relay inactive	<5 mA
relay active	<20 mA
Operating temperature range	0 ... 50 °C
Potential free alarm contact:	
Mode	Normally open
Rating	30 V/3 A max.
Dimensions	75 x 110 x 23 mm
Net weight	95 g
Material:	
Body	ABS

## 6 NOTES

EN

NL

FR

DE

ES

SE



# 1 INLEIDING

Victron Energy staat internationaal bekend als toonaangevende ontwerper en fabrikant van energiesystemen. Onze R&D-afdeling is de drijvende kracht achter deze reputatie. Ze is voortdurend op zoek naar mogelijkheden om de nieuwste technologie in onze producten te integreren. Elke stap vooruit resulteert in toepassingen met toegevoegde technologische en economische waarde.

## 1.1 *Introductie VE.Net*

VE.Net staat voor Victron Energy Network. VE.Net maakt het mogelijk om alle VE.Net compatibele apparaten met elkaar te laten communiceren. Dit betekent dat bijvoorbeeld de lader informatie kan ontvangen van de accu controller om de laadstroom te optimaliseren. Het is mogelijk om controle en toezicht te houden op al uw VE.Net apparatuur door middel van slechts één VE.Net compatibel bedieningspaneel. Dit is ruimtebesparend en maakt het mogelijk om al uw apparaten vanuit één plaats te bedienen. U hoeft zich echter niet te beperken tot één paneel. Er kunnen meerdere panelen worden gebruikt op het netwerk, waardoor u volledige controle en toezichtsmogelijkheden hebt op alle apparaten op verschillende locaties.

## 1.2 *De VE.Net accucontroller*

De VE.Net accucontroller (VBC) bewaakt de status van uw accu. Het apparaat meet voortdurend de accuspanning, accustroom en accutemperatuur en gebruikt deze informatie om de laadstatus van uw accu te berekenen. Deze informatie kan dan worden weergegeven op een VE.Net paneel (VPN of VE.Net Blue Power paneel (BPP)). Met een Blue Power paneel kan de VBC worden gebruikt om een grafisch overzicht van uw accusysteem te geven.

## 1.3 *Waarom uw accu's bewaken?*

De levensduur van accu's is van vele factoren afhankelijk. Als de accu's en de laadprocessen worden bewaakt, kunt u voorkomen dat uw accu's te veel of te weinig worden geladen of te veel ontladen. Een

accucontroller waarschuwt u als er iets fout loopt met de laadstroom of met de algemene toestand van de accu's.

#### **1.4 Hoe werkt de VE.Net accucontroller?**

Het vermogen van een accu wordt vastgesteld in Ampère-uren (Ah). Een accu die bijvoorbeeld gedurende een periode van 20 uur een stroom van 5 A kan leveren, wordt geclassificeerd als 100 Ah ( $5 \times 20 = 100$ ). De VBC meet voortdurend de stroom in en uit de accu. Op die manier is het mogelijk om de hoeveelheid energie die aan de accu wordt toegevoegd of eruit wordt verwijderd te berekenen. Maar aangezien het vermogen van de accu wordt beïnvloed door de levensduur, de ontlaadstroom en de temperatuur van de accu, kunt u niet enkel vertrouwen op een aflezing van de Ampère-uren. Als dezelfde accu van 100 Ah volledig ontlaadt in twee uur, kan deze slechts 56 Ah geven (omwille van de hogere ontladsnelheid).

Zoals u ziet, wordt de capaciteit van de accu op die manier bijna gehalveerd. Dit verschijnsel wordt de Peukert-efficiëntie genoemd (zie hoofdstuk 4.1.2). Wanneer de temperatuur van de accu laag is, neemt de capaciteit nog meer af. Daarom geven gewone Ampère-urenmeters of voltmeters u alles behalve een nauwkeurige laadstatus aan.

De VBC kan zowel de opgebruikte Ampère-uren (niet gecompenseerd) als de eigenlijke laadstatus (gecompenseerd d.m.v. de Peukert-efficiëntie en laadefficiëntie) weergeven. De laadstatus aflezen is de beste manier om de accu te bewaken. Deze parameter wordt weergegeven in percentages, waarbij 100% een volledig geladen accu en 0% een volledig ontladen accu vertegenwoordigt. U kunt dit vergelijken met een brandstofmeter in een auto.

De VBC schat ook hoe lang de accu de huidige belasting kan uithouden (resterende tijd). Dit is de resterende tijd tot de accu opnieuw moet worden geladen (50 % laadstatus). Als de accu meer dan 50% ontladt, wordt de levensduur van de accu aanzienlijk verminderd. Als de accubelasting erg schommelt, vertrouwt u best niet te veel op deze aflezing, aangezien het een kortstondige uitlezing betreft en enkel mag worden gebruikt als richtsnoer. We raden steeds aan om de aflezing van de laadstatus te gebruiken voor een nauwkeurige accubewaking.



## 2 INSTALLATIE VAN UW ACCUMONITOR

### 2.1 Veiligheidsvoorzorgen!

1. Werken in de buurt van een loodzwavelzuuraccu is gevaarlijk. Accu's kunnen tijdens bedrijf explosieve gassen produceren. Rook nooit in de buurt van een accu en voorkom vonken of open vuur in de buurt van een accu. Zorg voor voldoende ventilatie rondom de accu.

2. Draag bescherming voor ogen en kleding. Raak de ogen niet aan wanneer u in de buurt van accu's werkt. Was uw handen wanneer u klaar bent.

3. Indien accuzuur in contact is gekomen met de huid of kleding, is het van fundamenteel belang om dit onmiddellijk af te wassen met water en zeep. Bij contact met de ogen, spoel dan onmiddellijk en gedurende minstens 15 met ruim, koud, stromend water en zoek onmiddellijk medische hulp.

4. Wees voorzichtig wanneer u met metalen gereedschap in de buurt van accu's werkt. Als metalen gereedschap op de accu valt, kan dit kortsluiting in de accu veroorzaken en een explosie veroorzaken.

5. Doe persoonlijke metalen voorwerpen zoals ringen, armbanden, kettingen en horloges uit wanneer u met een accu werkt. Een accu kan een kortsluitstroom produceren die hoog genoeg is voorwerpen zoals ringen te laten smelten en zo ernstige brandwonden te veroorzaken.

**Opmerking:** Alle aanwijzingen met betrekking tot de VPN gelden ook voor de BPP, tenzij anders aangegeven.

Om uw VBC te installeren, hebt u het volgende nodig:

6. Een shunt. De standaard meegeleverde shunt is er een van 500 A / 50 mV, maar alle shunts met een stroomaanduiding tot 100 mV zijn geschikt.
7. Standaard meegeleverde flexibele tweedraadse verbindingkabel AWG21/0.4 mm<sup>2</sup> (voor de shunt).
8. Standaard meegeleverde flexibele tweedraadse verbindingkabel AWG21/0.4 mm<sup>2</sup> met in-line zekeringhouder en 1 A vertragingzekering (voor stroom).

9. Standaard meegeleverde temperatuursensor.
10. Cat5-kabel met twee RJ45-stekkers (voor aansluiting van een VE.Net paneel of ander VE.Net apparaat (niet meegeleverd)).

## **2.2 Montage**

De VBC kan op een standaard DIN-rail worden gemonteerd. Om de beste uitlezing te waarborgen raden we u aan de standaard meegeleverde kabels te gebruiken en de controller zo dicht mogelijk bij de accu's te plaatsen.

Tijdens lange perioden van hoog stroomverbruik wordt de shunt heet. Daarom raden we aan de shunt verticaal te monteren voor een optimale luchtstroom.

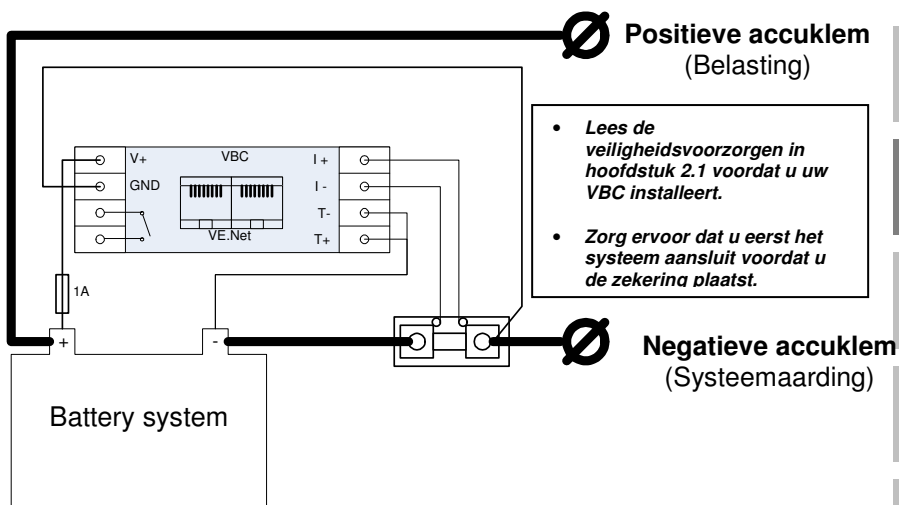
## **2.3 Bedrading en jumpers**

Sluit eerst de bedrading aan zoals aangegeven op figure 1 above, zonder de zekering. De dikke lijnen stellen de kabels van hoofdstroompaden voor. Deze kabels moeten geschikt zijn voor zwaar gebruik. Na installatie en controle van alle aansluitingen, plaatst u de zekering om de accucontroller van stroom te voorzien.

Sluit de accucontroller aan op een VE.Net paneel (VPN) of ander VE.Net apparaat aan de hand van een standaard rechte Cat5 kabel. De totale lengte van de gebruikte Cat5 kabels in een VE.Net netwerk mag niet langer zijn dan 100 m.

**Opmerking:** De shunt en temperatuursensor moeten de enige draden zijn die op de negatieve klem van de accu worden aangesloten. De negatieve aansluitingen van alle andere apparaten (m.i.v. laders) moeten op de laadzijde van de shunt gebeuren (systeemaarding). Als er apparaten rechtstreeks op de negatieve klem van de accu worden aangesloten, kan de VBC de stroom ervan niet meten en zijn de uitlezingen onjuist.

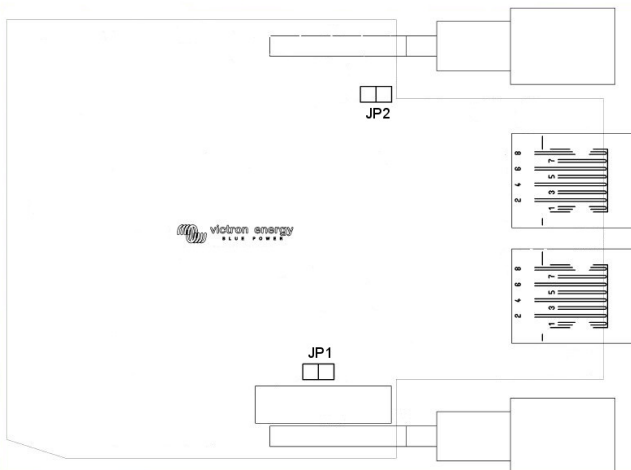
**Opmerking:** Sluit geen andere draden aan op de meetuitgang van de shunt aangezien dit de nauwkeurigheid van de aflezingen verstoort.



Afbeelding 3

De VBC kan ook andere VE.Net apparaten in het netwerk van stroom voorzien. Als een ander apparaat echter de VE.Net van stroom moet voorzien, verwijder dan de jumpers JP1 en JP2 zoals aangegeven op figure 2.

Afbeelding

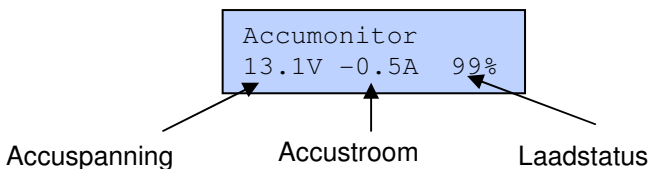


### 3 UW ACCUMONITOR GEBRUIKEN

De VBC wordt volledig bediend via de VPN. Om de VPN aan te zetten, houdt u een van de knoppen ingedrukt tot de VPN piept. Wanneer de VPN volledig is opgestart, wordt de apparatenlijst weergegeven. Als er nog VE.Net apparaten zijn aangesloten, kan het nodig zijn om op "▼" te drukken tot de accucontroller wordt weergegeven. Voor meer informatie over het gebruik van de VPN, zie de VPN handleiding.

#### 3.1 Snelle statuslijn

In het he root-menu van de VPN ziet u dit scherm, dat bestaat uit de naam van de VBC en de "snelle status"-lijn.



#### Opmerkingen:

3. U kunt steeds terugkeren naar deze positie door meermaals op "Annuleren" te drukken.
4. De laadstatus wordt enkel weergegeven wanneer de VBC is gesynchroniseerd (zie hoofdstuk 4.1.3 voor meer informatie).

#### 3.2 Hoofdmenu

Druk voor meer gedetailleerde informatie op de knop "Enter" om het VBC-menu te openen.

Naam	Beschrijving	Eenheid
Accuspanning	Geeft de spanning van de accu weer.	Volt
Accustroom	Geeft de DC-stroom weer die in of uit de accu stroomt.	Ampère
Verbruikte Ah	Geeft de verbruikte energie weer sinds de laatste keer dat de accu werd geladen.	Ampère-uren
Laadstatus	De laadstatus geeft het percentage van de accucapaciteit weer dat nog beschikbaar is voor verbruik. Bij een volle batterij verschijnt 100% en bij een lege accu 0%. Dit is de beste manier om te zien wanneer de accu's moeten worden geladen.	Procent

Naam	Beschrijving	Eenheid
Resterende tijd	Geeft op basis van de huidige belasting de geschatte tijd weer voordat de accu's opnieuw moeten worden geladen.	Uur en minuten.
Accutemperatuur	Geeft de accutemperatuur weer	Graden celcius.
Softwareversie	De softwareversie van dit apparaat.	

EN

NL

FR

DE

ES

SE

### 3.3 Eerder opgeslagen gegevens

De VBC houdt de eerder opgeslagen gegevens bij zodat u meer informatie hebt over de status en het eerdere gebruik van de accu's.

#### 3.3.1 Waar vindt u het menu "Eerder opgeslagen gegevens"?

```
Accumonitor
13.1V -0.5A 99%
```

Stap 1) Druk op "Enter" om het VBV-menu te openen.

```
Accuspanning
13,10 V
```

Stap 2) Druk op "▼" om door het menu te scrollen tot u 'Eerder opgeslagen gegevens' ziet.

Eerder  
opgeslagen  
gegevens  
[Druk op enter]

Stap 3) Druk op "Enter" om het menu "Eerder opgeslagen gegevens" te openen.

### 3.3.2 Toelichting eerder opgeslagen gegevens

Eerder opgeslagen gegevens		
Naam	Beschrijving	Eenheid
Verste ontlading	De verste ontlading in Ah.	Ampère-uren
Diepte laatste ontlading	De diepte van de laatste ontlading in Ah. Deze waarde wordt opnieuw op 0 gezet wanneer de laadstatus opnieuw 100% is.	Ampère-uren
Gemiddelde ontlading	De gemiddelde ontlading over alle getelde cycli	Ampère-uren
Aantal cycli	Telkens wanneer de accu meer dan 65% van het nominale vermogen is ontladen en opnieuw tot minstens 90% wordt geladen, wordt één cyclus geteld.	
Volledige ontladingen	Het aantal keren dat de accu tot een laadstatus van 0% is ontladen.	
Cumulative Ah	Legt de totale verbruikte energie over alle laadcycli vast.	Ampère-uren
Laatste volledige oplading	De tijd sinds de laatste keer dat de accu volledig werd opgeladen.	Dagen.
Maximum spanning	Gemeten maximum. Kan worden gebruikt om te controleren op gebrekkige laders en dynamo's.	Volt
Minimum spanning	Laagst gemeten. Kan worden gebruikt om te controleren of de accu's overmatig zijn ontladen	Volt

## 4 INSTELLING

### 4.1 Achtergrondinformatie

#### 4.1.1 Laadefficiëntiefactor

Wanneer de accu wordt geladen, is niet alle energie die naar de accu wordt overgebracht beschikbaar wanneer de batterij wordt ontladen. De laadefficiëntiefactor (CEF) van een gloednieuwe accu bedraagt ongeveer 90%. Dit betekent dat er 10 Ah naar de accu moet worden overgebracht om 9 werkelijk in de accu opgeslagen Ah te verkrijgen. De CEF van een accu neemt af hoe ouder de accu is.

#### 4.1.2 Peukert-exponent

Zoals vermeld in hoofdstuk 1.4, beschrijft de Peukert-efficiëntie hoe de Ah-capaciteit van een accu afneemt als u de accu sneller dan 20 hr ontladt. De vermindering van de accucapaciteit wordt de 'Peukert-exponent' genoemd en kan worden ingesteld van 1.00 tot 1.50. Hoe hoger de exponent van Peukert, hoe sneller het effectieve vermogen afneemt en de ontladsnelheid toeneemt. Een ideale (theoretische) accu heeft een Peukert-exponent van 1.00 en een vast vermogen; ongeacht de grootte van de ontladstroom. Dergelijke accu's bestaan uiteraard niet en een instelling van 1.00 in de VBC wordt enkel toegepast om de Peukert-compensatie te overbruggen. De standaard instelling voor de Peukert-exponent is 1.25, wat een aanvaardbare gemiddelde waarde is voor de meeste loodzuuraccu's. Voor een nauwkeurige accubewaking is het invoeren van de juiste Peukert-exponent echter fundamenteel. Als er geen Peukert-exponent is aangegeven voor uw accu, kunt u deze berekenen aan de hand van andere specificaties die wel bij uw accu moeten worden geleverd.

De Peukert-vergelijking luidt als volgt:

$$C_p = I^n \cdot t \quad \text{waarbij de Peukert-exponent, } n = \frac{\log t_2 - \log t_1}{\log I_1 - \log I_2}$$

De accuspecificaties die nodig zijn voor de berekening van de Peukert-exponent zijn het nominale accuvermogen (doorgaans de 20 uur

ontlaadsnelheid<sup>3</sup>) en bijvoorbeeld een 5 uur ontlaadsnelheid<sup>4</sup>. Hieronder vindt u een voorbeeld om de Peukert-exponent te berekenen aan de hand van deze twee specificaties.

5 uur snelheid

$$C_{5hr} = 75 Ah$$

$$t_1 = 5 hr$$

$$I_1 = \frac{75 Ah}{5 hr} = 15 A$$

20 uur snelheid,

$$C_{20hr} = 100 Ah \text{ (rated capacity)}$$

$$t_2 = 20 hr$$

$$I_2 = \frac{100 Ah}{20 hr} = 5 A$$

$$\text{Peukert exponent, } n = \frac{\log 20 - \log 5}{\log 15 - \log 5} = 1.26$$

Als er helemaal geen snelheid wordt aangegeven, kunt u uw accu meten aan de hand van een constante belastingsbank. Op deze manier kan naast de 20 uur snelheid die de nominale accucapaciteit in de meeste gevallen weergeeft een tweede snelheid worden verkregen. Deze tweede snelheid kan worden gedefinieerd door een maximaal geladen accu met een constante stroom te laten ontladen totdat de accu 1,75V per cel bereikt (10,5V bij een 12V accu of 21V bij een 24V accu). Een rekenvoorbeeld luidt als volgt:

Een 200 Ah accu ontladst met een constante stroom van 20A en bereikt na 8,5 uur 1,75V per cel.

Dus,

$$t_1 = 8.5 hr$$

$$I_1 = 20 A$$

20 uur snelheid,

$$C_{20hr} = 200 Ah$$

$$t_2 = 20 hr$$

$$I_2 = \frac{200 Ah}{20 hr} = 10 A$$

<sup>3</sup> Merk op dat het nominale accuvermogen ook als een ontlaadsnelheid van 10 uur of zelfs van 5 uur kan worden gedefinieerd.

<sup>4</sup> De 5 uur ontlaadsnelheid in dit voorbeeld is slechts willekeurig. Kies naast de C<sub>20</sub> snelheid (lage ontladstroom) een tweede snelheid met een aanzienlijk hogere ontladstroom.





$$\text{Peukert exponent, } n = \frac{\log 20 - \log 8.5}{\log 20 - \log 10} = 1,23$$

U kunt een Peukert-rekenmachine vinden op [www.victronenergy.com](http://www.victronenergy.com).

#### 4.1.3 De accumonitor synchroniseren

Synchroniseer de accumonitor regelmatig met de accu en de lader voor een betrouwbare uitlezing van de laadstatus van de accu. Dit wordt bereikt door de accu maximaal te laden. Als de lader zich in de 'float'-fase (continue fase) bevindt, beschouwt de lader de accu als vol. Op dit moment moet de VBC de accu ook als vol beschouwen. Nu kan de Ampère-uurtelling opnieuw op nul worden gezet en de uitlezing van de laadstatus op 100% worden ingesteld.

**Als de voeding van de VBC werd onderbroken, moet de accumonitor opnieuw worden gesynchroniseerd om juist te kunnen werken.**

Merk op dat door de accu regelmatig (minstens één keer per maand) maximaal te laden de accu niet alleen synchroon blijft met de VBC; ook aanzienlijk capaciteitsverlies, dat leidt tot een verkorte levensduur van de accu, wordt voorkomen.

#### 4.1.4 Synchronisatieparameters

U kunt op basis van een toenemende laadspanning en een afnemende laadstroom bepalen of de accu al dan niet volledig geladen is. De accu kan als volledig geladen worden beschouwd als de accuspanning gedurende een vooraf vastgestelde periode boven een bepaalde waarde ligt, terwijl de laadstroom gedurende dezelfde periode onder een bepaalde waarde ligt. Deze waarden worden synchronisatieparameters genoemd. In het algemeen is bij een 12V loodzwavelzuuraccu de synchronisatiespanning 13,2V en de synchronisatiestroom 4,0% van het totale accuvermogen (bijvoorbeeld 8A bij een 200 Ah accu). Voor de meeste accusystemen is een synchronisatietijd van 4 minuten voldoende. Merk op dat deze parameters erg belangrijk zijn voor de juiste bediening van uw VBC en juist moeten worden ingesteld in de overeenkomstige menu-onderdelen.

## 4.2 Algemene instellingen

### 4.2.1 Waar vindt u het menu "Instellingen monitor"?

Accumonitor  
12,1V 0,0A 100%

Stap 1) Druk op "Enter" om het VBV-menu te openen.

Accuspanning  
12,10 V

Stap 2) Druk op "▼" om door het menu te scrollen tot u 'Instellingen monitor' ziet.

Instellingen  
controller

Stap 3) Druk op "Enter" om het menu 'Instellingen monitor' te openen.

**Opmerking:** Als u het menu "Instellingen monitor" niet kunt vinden, zorg er dan voor dat uw VPN is ingesteld op "gebruiker- en installatiemode".

### 4.2.2 Toelichting instelparameters

Instellingen monitor				
Naam	Beschrijving	Standaard waarde	Bereik	Stap grootte
Accucapaciteit	De accucapaciteit in ampère-uren (Ah) bij een 20 uur ontladsnelheid.	200 Ah	20-65535	5
Synchr.spanning	De accucontroller beschouwt de accu als volledig opgeladen als de spanning hoger is dan deze waarde. Deze waarde moet enigszins lager worden ingesteld dan de drijfspanning van de lader.	13,2 V	10-72	0.1
Synchr.stroom	De accu kan als volledig geladen worden beschouwd als de laadstroomwaarde onder dit percentage van het accuvermogen ligt.	4 %	1-10	1
Synchr.tijd	De minimum tijd dat aan de hierboven vermelde twee parameters moet worden voldaan om de accu als volledig geladen te beschouwen.	4 min	1-4	1

Instellingen monitor				
Naam	Beschrijving	Standaard waarde	Bereik	Stap grootte
Accutemperatuur	Als de verbinding met de temperatuursensor verloren gaat, wordt deze waarde gebruikt voor de berekeningen.	20 °C	0-50	1
Opnieuw synchr. naar 100%?	Stelt de laadstatus handmatig opnieuw in op 100%.			
Naam apparaat	De naam van de in de VPN gebruikte accucontroller.	Accumonitor		

Dankzij de instellingen van het geavanceerde menu kunnen de accubewakingsberekeningen van de VBC nauwkeurig gecontroleerd worden. De standaard waarden zijn geschikt voor de meeste accusystemen en mogen dus niet worden gewijzigd als u de gevolgen hiervan niet volledig begrijpt.

Geavanceerd				
Naam	Beschrijving	Standaard waarde	Bereik	Stap grootte
Laadcoeff.	Wanneer een accu wordt geladen, gaat er energie verloren. De laadcoëfficiëntfactor compenseert de verloren energie, waarbij 1 geen energieverlies en 0,5 een energieverlies van 50% vertegenwoordigt.	0.9	0.5-1	0.05
Peukert-exponent	De Peukert-exponent voor uw accu (zie hoofdstuk 4.1.2 voor meer informatie). Stel in op 1,00 om de Peukert-compensatie te deactiveren. Neem contact op met uw accufabrikant voor de Peukert-exponent.	1.25	1-1.5	0.01
Temperatuur coëf.	Dit het het percentage dat de accucapaciteit verandert wegens temperatuur.	0.5	0.5-0.95	0.05
Stroomdrempel	Deze waarde wordt beschouwd als nul ampère om te waarborgen dat fouten worden verholpen.	0,1 A	0-5	0.1
Shuntstroom	Het maximum stroombereik van de shunt.	500 A	5-50000	5
Shuntspanning	De uitgangsstroom van de shunt bij maximale nominale stroom.	50 mV	1-100	1
Stroomoffset	Wordt gebruikt om kleine fouten te compenseren in de stroommeting wegens ongewenste offsets die de meetkabels vaststellen.	0 A	-60000 - 60000	0.01
Accustroom	Verdubbelt de stroomaflezing van het bovenste menu. Hierdoor kunnen de effecten van veranderingen in de stroomoffset worden waargenomen zonder door het menu te bladeren.			

### 4.3 Alarmen

De VBC is uitgerust met een relais dat kan worden geconfigureerd om alarmen te geven of, indien aangesloten op een generator, om de generator automatisch te starten en te stoppen. Er kunnen ook alarmen naar de VPN worden verzonden, die kan worden geconfigureerd om een alarm te activeren of een ander relais te bedienen. Elk type alarm kan worden geconfigureerd om het relais te activeren, een paneelalarm te versturen of beide. Ze kunnen ook volledig worden gedeactiveerd.

#### 4.3.1 Waar vindt u het menu "Instellingen alarmen"?

```
Accumonitor
12,1V 0,0A 100%
```

Stap 1) Druk op "Enter" om het VBV-menu te openen.

```
Accuspanning
12,10 V
```

Stap 2) Druk op "▼" om door het menu te scrollen tot u 'Instellingen alarmen' ziet.

```
Instellingen
alarmen
[Druk op enter]
```

Stap 3) Druk op "Enter" om het menu 'Instellingen alarmen' te openen.

**Opmerking:** Als u het menu "Instellingen alarmen" niet kunt vinden, zorg er dan voor dat uw VPN is ingesteld op "gebruiker- en installatiemode".

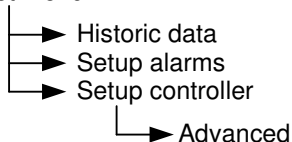
#### 4.3.2 Toelichtingsopties alarmen

Instellingen alarmen				
Naam	Beschrijving	Standaard waarde	Bereik	Stap grootte
Lage spanning	De waarde waaronder een alarm voor lage spanning wordt geactiveerd.	10,5 V	10-72	0.1
Oph. lage spanning	De waarde waarboven een alarm voor lage spanning wordt opgeheven.	10,5 V	10-72	0.1
Handeling lage spanning	Het uit te voeren type handeling wanneer er een alarm voor lage spanning actief is.	Geen	Geen, relais, paneel, beide	
Hoge spanning	De waarde waarboven een alarm voor hoge spanning wordt geactiveerd.	16 V	10-72	0.1
Oph. hoge spanning	De waarde waaronder een alarm voor hoge spanning wordt opgeheven.	16 V	10-72	0.1

Instellingen alarmen				
Naam	Beschrijving	Standaard waarde	Bereik	Stap grootte
Handeling hoge spanning	Het uit te voeren type handeling wanneer er een alarm voor hoge spanning actief is.	Geen	Geen, relais, paneel, beide	
Lage SOC	De waarde waaronder een alarm voor een lage laadstatus wordt geactiveerd.	80 %	0-100	1
Oph. lage SOC	De waarde waarboven een alarm voor een lage laadstatus wordt opgeheven.	80 %	0-100	1
Handeling lage SOC	Het uit te voeren type handeling wanneer er een alarm voor lage laadspanning actief is.	Geen	Geen, relais, paneel, beide	
Lage stroom	De waarde waaronder een alarm voor lage stroom wordt geactiveerd.	-100 A	-30000 – 0	5
Oph. lage stroom	De waarde waarboven een alarm voor lage stroom wordt opgeheven.	-90 A	-30000 – 0	5
Handeling lage stroom	Het uit te voeren type handeling wanneer er een alarm voor lage stroom actief is.	Geen	Geen, relais, paneel, beide	
Hoge stroom	De waarde waarboven een alarm voor hoge stroom wordt geactiveerd.	100	0 – 30000	5
Oph. hoge stroom	De waarde waaronder een alarm voor hoge stroom wordt opgeheven.	90	0 – 30000	5
Handeling hoge stroom	Het uit te voeren type handeling wanneer er een alarm voor hoge stroom actief is.	Geen	Geen, relais, paneel, beide	
Vertraging activeren	De tijd dat een alarmvoorwaarde zich moet voordoen om het alarm te activeren.	0 s	0 – 255	1
Vertraging deactiveren	De tijd dat een alarmophefvoorwaarde zich moet voordoen om het alarm te deactiveren.	0 s	0 – 255	1
Min. activeringstijd	De minimum tijd dat het relais gesloten mag blijven wanneer er zich een alarmvoorwaarde heeft voorgedaan.	0 min	0 – 255	1

#### 4.4 Overzicht menustructuur

Root menu



## 5 TECHNISCHE GEGEVENS

Voedingsspanningsbereik	9 ... 70 VDC
Voedingsstroom	
relais inactief	< 5 mA
relais actief	< 20 mA
Bedrijfstemperatuurbereik	0 ... 50 °C
Potentiaalvrij alarmcontact:	
Modus	Normaal open
Nominale waarde	30 V/3 A max.
Afmetingen	75 x 110 x 23 mm
Nettogewicht	95 g
Materiaal:	
Behuizing	ABS

## 6 OPMERKINGEN

EN

NL

FR

DE

ES

SE





# 1 INTRODUCTION

Victron Energy compte parmi les meilleurs concepteurs et fabricants mondiaux de systèmes d'énergie. Notre service R&D est la force motrice de cette réputation internationale. Il cherche en permanence à intégrer les progrès technologiques les plus pointus dans nos produits. Chaque pas en avant apporte une plus-value en termes de performances techniques et économiques.

## **1.1 Introduction sur le VE.Net**

VE.Net signifie Victron Energy Network. Il permet à tous les appareils compatibles VE.Net de communiquer entre eux. Cela signifie que le chargeur par exemple peut obtenir l'information du contrôleur de batterie pour optimiser le courant de charge. Il est possible de contrôler et surveiller tous les appareils VE.Net depuis un seul panneau de contrôle compatible VE.Net. Cela économise de l'espace et cela vous permet de contrôler tous vos appareils depuis un seul endroit. Il n'est cependant pas nécessaire de se limiter à un seul panneau. Plusieurs tableaux peuvent être utilisés en réseau permettant ainsi d'utiliser pleinement les capacités de contrôle et surveillance de tous les appareils situés à plusieurs endroits.

## **1.2 Le Contrôleur de Batterie VE.Net**

Le contrôleur de batterie VE.Net (VBC) est un appareil qui contrôle l'état de votre batterie. Cet appareil mesure constamment la tension, le courant et la température de la batterie. Il utilise cette information pour calculer l'état actuel de charge de votre batterie. Cette information peut être visualisée sur un Tableau VE.Net (VPN), ou Tableau VE.Net Blue Power (BPP). Quand le VBC est utilisé avec un tableau Blue Power, il peut servir à fournir une vue d'ensemble graphique de votre système de batterie.

## **1.3 Pourquoi devriez-vous contrôler vos batteries ?**

La durée de vie des batteries dépend de plusieurs facteurs. Si les batteries et les processus de charge sont contrôlés, vous pouvez empêcher que vos batteries ne soient surchargées ou sous-chargées, ou

qu'elles subissent une décharge trop profonde. Un contrôleur de batterie vous avise si quelque chose ne fonctionne pas correctement avec le courant de charge ou avec les conditions générales des batteries.

### **1.4 Comment fonctionne le Contrôleur de batterie VE.Net ?**

La capacité d'une batterie s'exprime en ampères-heures (Ah). Par exemple, une batterie capable de délivrer un courant de 5 A pendant 20 heures dispose d'une capacité de 100 Ah ( $5 \times 20 = 100$ ). Le VBC mesure en permanence le courant net qui entre ou qui sort de la batterie. De cette façon, il peut calculer la quantité d'énergie extraite ou ajoutée à la batterie. Mais une simple lecture en Ah ne suffit pas, puisque l'âge de la batterie, le courant de décharge et la température affectent également la capacité de la batterie. Si la même batterie de 100 Ah est déchargée entièrement en deux heures, elle peut ne fournir que 56 Ah (en raison de l'intensité de décharge plus élevée).

La capacité de la batterie est ainsi presque divisée par deux. Ce phénomène s'appelle le rendement Peukert (voir le chapitre 4.1.2). En outre, lorsque la température de la batterie est basse, sa capacité est encore plus amoindrie. C'est pourquoi un simple voltmètre ou un compteur d'ampères-heures ne permet pas de déterminer avec précision l'état de charge réel de la batterie.

Le VBC peut afficher les ampères-heures extraits (non-compensés) et l'état de charge réel (compensé par le rendement Peukert et le rendement de la charge). La meilleure façon d'évaluer la capacité de votre batterie est de lire l'état de charge. Ce paramètre est donné en pourcentage, où 100 % représente une batterie pleine et 0% une batterie vide. Vous pouvez comparer cette mesure à la jauge de carburant d'un véhicule.

Le VBC estime également la durée pendant laquelle la batterie peut continuer à alimenter la demande en énergie actuelle (autonomie restante). Cela correspond au temps qui reste avant de devoir la recharger (50 % de l'état de charge). Le fait de décharger la batterie à plus de 50 % réduit de manière significative la durée de vie de la batterie. Si la demande en énergie varie fortement, il vaut mieux ne pas se fier à cette indication puisqu'il s'agit d'une lecture passagère, qui ne doit servir qu'à titre indicatif. Nous recommandons vivement d'utiliser l'indication de l'état de charge pour une surveillance précise de la batterie.

## 2 INSTALLATION DE VOTRE CONTROLEUR DE BATTERIE

### 2.1 Précautions à prendre !

1. Tout travail près d'une batterie est potentiellement dangereux. Ces batteries peuvent générer des gaz explosifs. Ne fumez jamais et interdisez toute étincelle ou flamme à proximité d'une batterie. Veillez à ce que l'air circule librement autour de la batterie.
2. Portez des vêtements et des lunettes de protection. Ne touchez pas à vos yeux lorsque vous travaillez à proximité des batteries. Lavez-vous les mains après l'intervention.
3. En cas de contact entre l'électrolyte et la peau ou les vêtements, lavez immédiatement au savon et à l'eau. En cas de contact avec l'œil, rincez tout de suite abondamment à l'eau claire pendant au moins 15 minutes et consultez immédiatement un médecin.
4. Soyez prudent lors de l'utilisation d'outils métalliques à proximité des batteries. La chute d'un outil métallique sur une batterie peut provoquer un court-circuit et éventuellement une explosion.
5. Retirez tout objet personnel en métal tel que bague, bracelet, collier et montre, lorsque vous travaillez avec une batterie. Une batterie peut produire un courant de court-circuit assez élevé pour faire fondre ces objets et provoquer de graves brûlures.

**Remarque :** Toutes les consignes relatives au VPN valent aussi pour le BPP, à moins qu'il en soit spécifié autrement.

Pour installer votre VBC, il vous faudra :

1. Un shunt. Le shunt standard fourni est de 500 A / 50 mV, mais tout shunt ayant une indication de courant supérieure à 100 mV peut être utilisé.
2. Un câble de connexion flexible de deux fils AWG21/0,4 mm<sup>2</sup> standard fourni (pour le shunt).
3. Un câble de connexion flexible de deux fils AWG21/0,4 mm<sup>2</sup> standard fourni avec un porte fusible en ligne et un fusible à fusion lente de 1 A (pour l'alimentation).
4. Sonde de température fournie standard.

5. Câble Cat5 avec deux connecteurs RJ45 (pour connecter un tableau VE.Net ou un autre appareil VE.Net (non fourni)).

## **2.2 Montage**

Le VBC peut être monté sur un rail DIN standard. Pour assurer la meilleure lecture, nous vous recommandons d'utiliser les câbles standards fournis et de placer le contrôleur aussi près que possible des batteries.

En cas de consommation de courant élevé sur une longue période, le shunt se chauffera. C'est pourquoi il est recommandé que le shunt soit monté avec les broches en position verticale afin de permettre une ventilation optimale.

## **2.3 Câblage et bretelles**

Réalisez d'abord le câblage tel qu'il est indiqué figure 1 above, sans le fusible. Les traits épais représentent les câbles de chemin de courant principal. Ils devraient être de type ultra-résistant. Après l'installation et la vérification de toutes les connexions, placez le fusible pour alimenter le contrôleur de batterie.

Connectez le Contrôleur de batterie au tableau VE.Net (VPN) ou tout autre appareil VE.Net en utilisant un câble Cat5 ininterrompu standard. La longueur totale des câbles CAT5 qui sont utilisés dans un réseau VE.Net ne doit pas dépasser 100 m.

**Remarque :** Le shunt et la sonde de température doivent être les seuls câbles connectés à la borne négative de la batterie. Les connexions négatives de tous les autres appareils (y compris les chargeurs) doivent être faites sur la côté du shunt (prise de terre). Si les appareils sont connectés directement à la borne négative de la batterie, le VBC ne pourra pas mesurer le flux de courant, et il transmettra des lectures incorrectes.

**Remarque :** Ne pas connecter d'autres câbles à la sortie de lecture du shunt car cela affectera la précision des mesures.

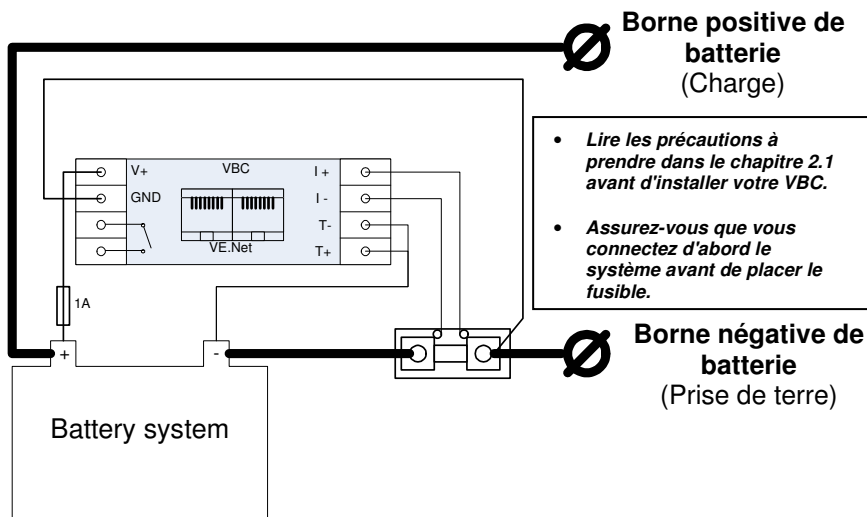
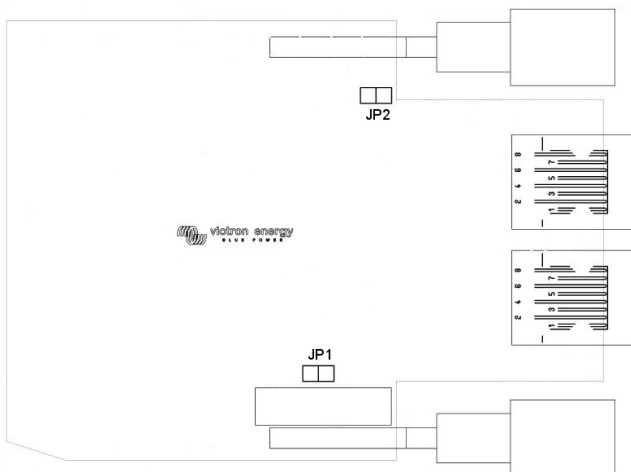


Schéma 5

Le VBC est capable d'alimenter d'autres appareils VE.Net sur le réseau. Si à sa place un autre appareil va alimenter le VE.Net, enlevez les bretelles JP1 et JP2 tel qu'il est indiqué sur la figure 2.

Schéma 6

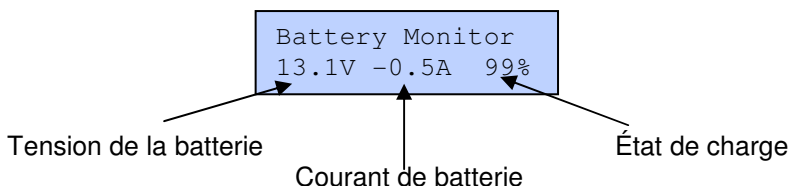


### 3 UTILISATION DE VOTRE CONTROLEUR DE BATTERIE

Le VPN contrôle totalement le VBC. Pour allumer le VPN, appuyez sur l'un des boutons jusqu'à ce que le VPN émette un bip. Quand le VPN a fini son démarrage, la liste des appareils sera affichée. Si d'autres appareils VE.Net sont connectés, il sera peut être nécessaire d'appuyer sur "▼" jusqu'à ce que le contrôleur de batterie s'affiche. Pour plus d'informations sur l'utilisation du VPN, consultez son manuel.

#### 3.1 Ligne d'état rapide

Dans le menu racine du VPN vous verrez cet écran qui affiche le nom du VBC et la ligne "quick status" (état rapide).



#### 1. Remarques :

5. Vous pouvez toujours retourner à cette position en appuyant sur "Cancel" (Annuler) à plusieurs reprises.
6. L'état de charge n'est indiqué que si le VBC est synchronisé (voir le chapitre 4.1.3 pour plus de détails).

#### 3.2 Menu principal

Pour obtenir plus d'informations détaillées, appuyez sur la touche "Enter" pour aller au menu VBC.

Nom	Description	Unités
Battery voltage (Tension de la batterie)	Affiche la tension de la batterie.	Volts.
Battery current (Courant de batterie)	Affiche le courant CC qui entre et qui sort de la batterie.	Amps.
Consumed Ah (Ah consommés)	Affiche l'énergie consommée depuis la dernière fois que la batterie a été complètement chargée.	Ampères-heures.

Nom	Description	Unités
State of charge (Etat de charge)	L'état de charge indique le pourcentage de la capacité de la batterie qui est encore disponible à la consommation. Une batterie pleine affichera 100 % et une batterie vide affichera 0 %. C'est la meilleure façon de voir quand les batteries ont besoin d'être rechargées.	Pourcentage
Time to go (Autonomie restante)	Affiche en fonction de la charge actuelle le temps estimé avant qu'il ne soit nécessaire de recharger les batteries.	Heures et minutes.
Bat. temperature (Température batterie)	Affiche la température de la batterie.	Degré celsius
Software version (version du programme)	La version du programme de cet appareil.	

### 3.3 Mémoire historique.

Le VBC gardera une trace des données historiques afin de vous permettre d'obtenir plus d'informations sur l'état de la batterie et son utilisation antérieure.

#### 3.3.1 Où trouver le menu "Historical data" (Mémoire historique)

```
Battery Monitor
13.1V -0.5A 99%
```

Étape 1) Appuyez sur "Enter" pour aller dans le menu VBC.

```
Battery voltage
13.10 V
```

Étape 2) Appuyez sur "▼" pour faire défiler le menu jusqu'à "Historic Data".

Historic data  
[Press enter]

Étape 3) Appuyez sur "Enter" pour aller au menu "Historic Data"

### 3.3.2 Explication de "Historic Data" (mémoire historique)

Mémoire historique		
Nom	Description	Unité
Deepest discharg (Décharge la plus profonde)	La décharge la plus profonde en Ah.	Ampères-heures.
Depth last disch (Profondeur de la dernière décharge)	Profondeur de la dernière décharge en Ah. Cette valeur sera remise à zéro quand l'État de charge atteindra de nouveau 100 %.	Ampères-heures.
Average discharg (Décharge moyenne)	La décharge moyenne sur tous les cycles comptés	Ampères-heures.
Number of cycles (Nombre de cycles)	Chaque fois que la batterie est déchargée à plus de 65 % de sa capacité nominale et qu'elle est rechargée à au moins 90 %, un cycle est compté.	
Full discharges (Décharges pleines)	Le nombre de fois que la batterie a été déchargée à 0 % de l'état de charge.	
Cumulative Ah (Ah cumulatif)	Enregistre l'énergie totale consommée pendant tous les cycles de charge.	Ampères-heures.
Last full charge (Dernière charge pleine)	Le temps écoulé depuis que la batterie a été complètement chargée pour la dernière fois.	Jours.
Maximum voltage (Tension maximum)	Mesure maximum. Cette valeur peut être utilisée en cas de chargeurs et d'alternateurs défectueux.	Volts.
Minimum voltage (Tension minimum)	Mesure la plus basse. Elle peut être utilisée pour vérifier si les batteries ont été excessivement déchargées	Volts.



## 4 CONFIGURATION

### 4.1 Renseignements à caractère général

#### 4.1.1 Facteur d'efficacité de charge

Lors d'une charge, toute l'énergie transférée dans la batterie n'est pas disponible quand elle est en cours de décharge. Le facteur d'efficacité de charge (FEC) d'une batterie neuve est d'environ 90 %. Cela signifie que 10 Ah doivent être transférés à la batterie pour obtenir réellement 9 Ah stockés dans la batterie. Le FEC d'une batterie diminuera selon l'ancienneté de la batterie.

#### 4.1.2 L'indice Peukert

Comme mentionné au chapitre 1.4, le rendement Peukert décrit comment, lorsque la décharge d'une batterie s'effectue en moins de 20 heures, sa capacité en Ah diminue. Cette réduction de capacité de la batterie est appelée « indice Peukert », et il peut être défini entre 1,00 et 1,50. Plus l'indice Peukert est élevé, plus la capacité de la batterie diminue avec l'augmentation de l'intensité de décharge. Une batterie idéale (théorique) aurait un indice Peukert de 1,00 et une capacité fixe, quel que soit le niveau d'intensité de décharge. Bien sûr, une telle batterie n'existe pas, et la valeur 1,00 du VBC sert uniquement à désactiver la compensation Peukert. La valeur par défaut de l'indice Peukert est 1,25, ce qui représente une valeur moyenne acceptable pour la plupart des types de batterie au plomb. Cependant, pour une surveillance précise de votre batterie, il est essentiel de sélectionner la valeur correcte de l'indice Peukert. Si celui-ci n'est pas fourni avec votre batterie, vous pouvez le calculer à partir d'autres caractéristiques qui doivent être disponibles avec la batterie.

La formule de Peukert est la suivante :

$$C_p = I^n \cdot t \quad \text{où l'indice Peukert, } n = \frac{\log t_2 - \log t_1}{\log I_1 - \log I_2}$$

Les caractéristiques de la batterie, nécessaires au calcul de l'indice Peukert, sont les capacités nominales de la batterie (généralement pour

une décharge en 20 h<sup>5</sup>) et, par exemple, pour une décharge en 5 h<sup>6</sup>. L'exemple ci-après vous montre comment calculer l'indice Peukert à partir de ces deux caractéristiques.

capacité  $C_{5hr} = 75 Ah$  nominale 5 h

$$t_1 = 5hr$$

$$I_1 = \frac{75 Ah}{5hr} = 15 A$$

capacité  $C_{20hr} = 100 Ah$  (rated capacity) nominale en 20 h

$$t_2 = 20hr$$

$$I_2 = \frac{100 Ah}{20hr} = 5 A$$

$$\text{Peukert exponent, } n = \frac{\log 20 - \log 5}{\log 15 - \log 5} = 1.26$$

En l'absence de toute valeur, vous pouvez mesurer votre batterie au moyen d'un banc de charge. De cette façon, vous pouvez obtenir une seconde valeur en plus de celle en 20 h, qui représente la capacité nominale de la batterie dans la plupart des cas. Cette seconde valeur peut être déterminée en déchargeant une batterie pleine avec un courant constant, jusqu'à atteindre 1,75 V par cellule (soit 10,5 V pour une batterie 12 V ou 21 V pour une batterie 24 V). Un exemple de calcul est présenté ci-dessous :

Une batterie 200 Ah est déchargée avec un courant constant de 20 A et la valeur de 1,75 V par cellule est atteinte après 8,5 heures.

Donc,  $t_1 = 8.5hr$   
 $I_1 = 20A$

capacité  $C_{20hr} = 200 Ah$  nominale en 20 h

$$C_{20hr} = 200 Ah$$

$$t_2 = 20hr$$

$$I_2 = \frac{200 Ah}{20hr} = 10 A$$

<sup>5</sup> Veuillez noter que la capacité nominale de la batterie peut être également définie comme le taux de décharge en 10 h ou même en 5 h.

<sup>6</sup> Le taux de décharge en 5 h dans cet exemple est pris arbitrairement. Veuillez à sélectionner un deuxième taux avec une intensité de décharge substantiellement plus élevée, en plus du taux  $C_{20}$  (courant de décharge faible).



$$\text{Peukert exponent, } n = \frac{\log 20 - \log 8.5}{\log 20 - \log 10} = 1.23$$

Une calculatrice Peukert est disponible sur [www.victronenergy.com](http://www.victronenergy.com).

#### 4.1.3 Synchronisation du contrôleur de batterie

Pour une indication précise de l'état de charge de votre batterie, le contrôleur de batterie doit être régulièrement synchronisé avec la batterie et le chargeur. Pour ce faire, il est nécessaire de charger totalement la batterie. Lorsque le chargeur fonctionne en mode 'float', celui-ci considère que la batterie est pleine. À ce stade, le VBC doit également considérer la batterie comme pleine. Ensuite, le compteur d'ampères-heures peut être remis à zéro et l'indication de l'état de charge peut être définie à 100 %.

**2. Si une interruption de l'alimentation du VBC a eu lieu, le contrôleur de batterie doit être resynchronisé pour qu'il puisse fonctionner correctement.**

Veillez noter qu'en rechargeant régulièrement et totalement la batterie (au moins une fois par mois), non seulement celle-ci restera synchronisée avec le vbc, mais vous réduirez également la perte substantielle de capacité qui diminue sa longévité.

EN

NL

FR

DE

ES

SE

#### 4.1.4 Paramètres de synchronisation

Il est possible de déterminer si une batterie est pleine ou non en se basant sur l'augmentation de la tension de charge et sur la diminution du courant de charge. Lorsque la tension de la batterie est supérieure à un niveau donné pendant une durée déterminée, alors que le courant de charge est inférieur à un certain niveau pendant la même durée, la batterie est considérée comme pleine. Ces valeurs sont appelées des paramètres de synchronisation. En général, pour une batterie au plomb 12 V, la tension de synchronisation est de 13,2 V et le courant de synchronisation est de 4,0 % de la capacité totale de la batterie (soit 8 A pour une batterie de 200 Ah). Pour la plupart des systèmes, une période de 4 minutes est suffisante pour la synchronisation. Veuillez noter que ces paramètres sont très importants pour un fonctionnement correct de votre VBC et qu'ils doivent être correctement configurés dans les éléments de menu correspondants.

## 4.2 Paramètres généraux

### 4.2.1 Où trouver le menu "Setup monitor" (Contrôleur de Configuration)

```
Battery Monitor
12.1V 0.0A 100%
```

Étape 1) Appuyez sur "Enter" pour aller dans le menu VBC.

```
Battery voltage
12.10 V
```

Étape 2) Appuyez sur "▼" pour faire défiler le menu jusqu'à "Setup monitor".

```
Setup controller
[Press enter]
```

Étape 3) Appuyez sur "Enter" pour aller dans le menu "Setup monitor".

**Remarque :** Si vous ne pouvez pas trouver le menu "Setup monitor", assurez-vous que votre VPN est en mode "user and install" (Utilisateur et Installation).

### 4.2.2 Explication des Paramètres de configuration

Contrôleur de configuration				
Nom	Description	Valeur par défaut	Plage	Écart
Battery capacity (Capacité de la batterie)	La capacité de batterie en ampère-heure (Ah) à un taux de décharge de 20 h.	200 Ah	20-65535	5
Sync. voltage (Tension de synchronisation)	Le contrôleur de batterie considère que la batterie est complètement chargée si la tension est au-dessus de ce niveau. Elle doit être légèrement en-dessous de la tension float du chargeur.	13,2 V	10-72	0,1
Sync. current (Courant synch)	Lorsque le courant de charge est inférieur à ce pourcentage de la capacité de la batterie, la batterie peut être considérée comme pleine.	4 %	1-10	1
Sync. time (Temps de synchr)	Temps minimum que les deux paramètres ci-dessus doivent respecter pour considérer que la batterie est chargée.	4 min	1-4	1

<b>Contrôleur de configuration</b>				
<b>Nom</b>	<b>Description</b>	<b>Valeur par défaut</b>	<b>Plage</b>	<b>Écart</b>
Bat. temperature (Température batterie)	Si la connexion à la sonde de température se perd, cette valeur est utilisée dans les calculs.	20 °C	0-50	1
Resync. to 100%? (Resynchroniser à 100 % ?)	Reconfigurez l'état de charge manuellement à 100 %.			
Device name (Nom de l'appareil)	Le nom du contrôleur de batterie qui est utilisé dans le VE.Net.	Battery Monitor		

Les paramètres du menu avancé permettent un contrôle plus fin des calculs de suivis de la batterie réalisés par le VBC. Les valeurs par défaut sont valables pour la plupart des systèmes de batterie. Pour autant ne réglez pas ces paramètres sans en comprendre parfaitement les conséquences.

<b>Paramètres Avancés</b>				
<b>Nom</b>	<b>Description</b>	<b>Valeur par défaut</b>	<b>Plage</b>	<b>Écart</b>
Charge eff. fact (Facteur d'effic. de charge)	Lorsqu'une batterie est chargée, il se produit une perte d'énergie. Le facteur d'efficacité de charge compense la perte d'énergie, avec 1 pour aucune perte d'énergie et 0.5 pour une perte d'énergie de 50 %.	0,9	0,5-1	0,05
Peukert exponent (Indice Peukert)	L'indice de Peukert pour votre batterie (consultez le chapitre 4.1.2 pour plus d'informations). Configurez à 1.00 pour désactiver la compensation peukert. Contactez votre fabricant de batterie pour obtenir l'indice Peukert.	1,25	1-1,5	0,01
Temperature coef (Coeff. de température)	C'est le pourcentage que la capacité de la batterie change en fonction de la température.	0,5	0,5-0,95	0,05
Current threshold (Seuil de courant)	Cette valeur sera considérée à zéro ampère afin de s'assurer que les erreurs ont été éliminées.	0,1 A	0-5	0,1
Shunt current (Courant du shunt)	La valeur nominale du courant maximum du shunt.	500 A	5-50000	5
Shunt voltage (Tension du shunt)	Tension de sortie du shunt au courant nominal maximal.	50 mV	1-100	1
Current offset (Compensation de courant)	Utilisé pour compenser les petites erreurs de mesure du courant dues aux déviations indésirées captées par les câbles de mesure.	0 A	-60000 - 60000	0,01

Paramètres Avancés				
Nom	Description	Valeur par défaut	Plage	Écart
Battery current (Courant de batterie)	Double la lecture du courant depuis le menu du haut. Cela permet de constater les effets des changements de la compensation de courant sans avoir à naviguer dans la hiérarchie du menu.			

### 4.3 Alarmes

Le VBC est équipé d'un relais qui peut être programmé pour signaler des alarmes ou s'il est connecté à un générateur pour le démarrer et l'arrêter automatiquement. Des alarmes peuvent aussi être envoyées au VPN et elles peuvent être configurées pour faire sonner une alarme ou contrôler un autre relais. Chaque type d'alarme peut être configuré pour activer le relais, envoyer une alarme du tableau ou les deux. Ces alarmes peuvent aussi être complètement désactivées.

#### 4.3.1 Où trouver le menu "Setup alarms" (Configuration des Alarmes)

```
Battery Monitor
12.1V 0.0A 100%
```

Étape 1) Appuyez sur "Enter" pour aller dans le menu VBC.

```
Battery voltage
12.10 V
```

Étape 2) Appuyez sur "▼" pour faire défiler le menu jusqu'à visualiser ".

Setup alarms  
[Press enter]

Étape 3) Appuyez sur "Enter" pour aller dans le menu "Setup alarms".

**Remarque** :Si vous ne pouvez pas trouver le menu "Setup alarms", assurez-vous que votre VPN est en mode "user and install" (Utilisateur et Installation).

#### 4.3.2 Explication sur les options relatives aux alarmes

Configuration des alarmes				
Nom	Description	Valeur par défaut	Plage	Écart
Low voltage (Tension faible)	Le niveau en dessous duquel s'active l'alarme de tension faible.	10,5 V	10-72	0,1
Low voltage clr (Annulation alarme Tension faible)	Le niveau au-dessus duquel l'alarme de tension faible sera désactivée.	10,5 V	10-72	0,1
Low volt action (Mesure en cas de tension faible)	Type de mesure à prendre en cas d'activation de l'alarme de tension faible.	None (Aucune)	None, Relay, Panel, Both (Aucune, Relais, Tableau, les deux)	
High voltage (Tension élevée)	Le niveau au dessus duquel s'active l'alarme de tension élevée.	16 V	10-72	0,1
High voltage (Annulation alarme Tension élevée)	Le niveau en dessous duquel l'alarme de tension élevée sera désactivée	16 V	10-72	,1
High volt action (Mesure en cas de tension élevée)	Type de mesure à prendre en cas d'activation de l'alarme de tension élevée.	None (Aucune)	None, Relay, Panel, Both (Aucune, Relais, Tableau, les deux)	
Low SOC (EDC faible)	Le niveau en dessous duquel s'active l'alarme en cas d'état de charge faible.	80 %	0-100	1

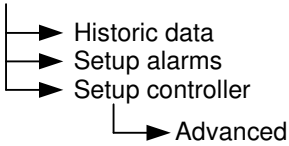


Configuration des alarmes				
Nom	Description	Valeur par défaut	Plage	Écart
Low SOC clr (Annuler l'alarme EDC faible)	Le niveau au dessus duquel s'active l'alarme en cas d'état de charge faible.	80 %	0-100	1
Low SOC action (Mesure en cas d'EDC faible)	Type de mesure à prendre en cas d'activation de l'alarme pour état de charge faible.	None	None, Relay, Panel, Both (Aucune, Relais, Tableau, les deux)	
Low current (Courant faible)	Le niveau en dessous duquel s'active l'alarme de courant faible.	-100 A	-30000 – 0	5
Low current clr (Annuler l'alarme courant faible)	Le niveau au-dessus duquel l'alarme de courant faible sera désactivée	-90 A	-30000 – 0	5
Low current action (Mesure en cas de courant faible)	Type de mesure à prendre en cas d'activation de l'alarme de courant faible.	None	None, Relay, Panel, Both (Aucune, Relais, Tableau, les deux)	
High current (Courant élevé)	Le niveau au dessus duquel s'active l'alarme de courant élevé.	100	0 – 30000	5
High current clr (Annuler alarme de courant élevé)	Le niveau en dessous duquel l'alarme de courant élevé sera désactivée.	90	0 – 30000	5
Mesure en cas de courant élevé	Type de mesure à prendre en cas d'activation de l'alarme de courant élevé.	None	None, Relay, Panel, Both (Aucune, Relais, Tableau, les deux)	
Enable delay (Activer délai)	Période de temps durant laquelle une condition d'alarme doit être remplie pour que l'alarme se déclenche.	0 s	0 – 255	1
Disable delay (Désactiver le délai)	Période de temps durant laquelle une condition d'alarme doit être remplie pour que l'alarme se désactive.	0 s	0 – 255	1

Configuration des alarmes				
Nom	Description	Valeur par défaut	Plage	Écart
Min. enable time (Temps d'activation mini)	Durée pendant laquelle le relais doit rester fermé une fois que la condition d'activation de l'alarme a eu lieu.	0 min	0 – 255	1

#### 4.4 Vue d'ensemble de la structure du menu

Root menu



## 5 CARACTERISTIQUES TECHNIQUES

Plage de tension d'alimentation	9 ... 70 VCC
Courant d'alimentation	
relais inactif	< 5 mA
relais actif	< 20 mA
Plage de température de fonctionnement	0 ... 50 °C
Contact d'alarme sec :	
Mode	Normalement ouvert
Puissance	30 V / 3 A maxi
Dimensions	75 x 110 x 23 mm
Poids net	95 g
Matériel :	
Corps	ABS

EN

NL

FR

DE

ES

SE

## 6 REMARQUES

# 1 EINFÜHRUNG

Victron Energy hat sich als ein führender Entwickler und Hersteller von Energiesystemen auf internationaler Ebene einen Namen gemacht. Die hauseigene F&E-Abteilung ist der Motor für diesen Erfolg. Hier werden ständig neue Lösungen entwickelt und deren Integration in neue Produkte vorangetrieben. Jeder Schritt nach vorne resultiert in technischen und wirtschaftlichen Merkmalen, die einen Mehrwert bieten.

## 1.1 Einführung zu VE.Net

VE.Net steht für Victron Energy Network (Victron Energie-Netzwerk). Das Netzwerk ermöglicht, dass VE.Net-kompatible Geräte miteinander kommunizieren können. Hierdurch kann zum Beispiel das Ladegerät Informationen von der Batterieüberwachung erhalten, um den Ladestrom zu optimieren. Es ist möglich, alle VE.Net-Geräte von einem einzigen VE.Net-kompatiblen Bedienungspaneel aus zu steuern und zu überwachen. Das spart Platz und ermöglicht Ihnen, alle Geräte von einem Ort aus zu bedienen. Es muss jedoch nicht nur bei einem einzelnen Paneel bleiben. Im Netzwerk können mehrere Paneele verwendet werden, wodurch es möglich ist, alle Geräte von unterschiedlichen Orten aus komplett zu bedienen und zu überwachen.

## 1.2 VE.Net-Batterie-Wächter (VBC)

Der VE.Net-Batterie-Wächter (VBC) ist ein Gerät, das Ihren Batterie-Status überwacht. Er misst ununterbrochen die Batteriespannung, den Batteriestrom und die Batterietemperatur. Mit diesen Informationen berechnet er dann den Ladezustand Ihrer Batterie. Diese Informationen können auf einem VE.Net-Paneel (VPN) oder einem VE.Net Blue Power Paneel (BPP) angezeigt werden. Bei der Verwendung mit einem Blue Power Paneel kann mithilfe des VBC eine grafische Übersicht Ihres Batteriesystems angezeigt werden.

## 1.3 Warum sollten Ihre Batterien überwacht werden?

Die Lebenszeit Ihrer Batterie hängt von zahlreichen Faktoren ab. Durch die Überwachung der Batterien und des Ladevorgangs kann verhindert werden, dass Ihre Batterien über- bzw. unterladen oder tiefenentladen

werden. Ein Batteriewächter warnt Sie, wenn eine Störung des Ladestroms oder des allgemeinen Zustandes der Batterien vorliegt.

#### **1.4 Wie funktioniert der VE.Net-Batterie-Wächter?**

Die Leistung einer Batterie wird in Amperestunden (Ah) gemessen. Eine Batterie, die 20 Stunden lang einen Strom mit 5 Amp liefern kann, hat eine Nennleistung von 100 Ah ( $5 \times 20 = 100$ ). Der VBC misst ununterbrochen den Netzstromfluss in die und aus der Batterie. Auf diese Weise berechnet er die Energiemenge, die der Batterie entnommen oder hinzugefügt wird. Da jedoch das Alter der Batterie, der Entladestrom und die Temperatur die Batteriekapazität beeinflussen, kann man sich nicht nur auf die angezeigten Amperestunden verlassen. Wenn dieselbe 100 Ah Batterie in zwei Stunden vollständig entladen wird, liefert sie nur noch 56 Ah (wegen der höheren Entladungsrate).

Wie zu sehen ist, wird die Batteriekapazität fast halbiert. Dieses Phänomen bezeichnet man als "Peukert-Effizienz" (siehe Kapitel 4.1.2). Wenn außerdem die Temperatur der Batterie niedrig ist, nimmt ihre Kapazität sogar noch mehr ab. Darum zeigen einfache Amperestundenzähler oder Voltmeter den Ladezustand nicht wirklich genau an.

Der VBC kann sowohl die entfernten (nicht kompensierten) Amperestunden als auch den tatsächlichen Ladezustand (durch die Peukert-Effizienz und die Ladeeffizienz kompensiert) anzeigen. Am besten erkennen Sie den Zustand Ihrer Batterie durch das Ablesen des Ladezustands. Dieser Parameter wird als Prozentzahl angegeben. 100 % bedeutet eine voll aufgeladene Batterie und 0 % eine vollständig entladene Batterie. Dies ist mit einer Tankanzeige im Auto vergleichbar.

Der VBC kann außerdem eine Schätzung vornehmen, wie lange die Batterie die aktuelle Last halten kann (noch verbleibende Zeit). Damit ist die Zeit gemeint, bis die Batterie wieder aufgeladen werden muss (50 % Ladezustand). Ein Entladen der Batterie unter 50 % bedeutet eine beachtliche Reduktion der Lebensdauer der Batterie. Fluktuiert die Batterielast stark, sollte man sich nicht zu sehr auf diese Anzeige verlassen, da sie lediglich einen momentanen Wert ausliest. Dieser sollte dann nur als Richtlinie verwendet werden. Wir empfehlen stets die Verwendung der Ladezustand-Anzeige für eine genaue Batterieüberwachung.

## 2 INSTALLATION IHRES BATTERIEMONITORS

### 2.1 Sicherheitsmaßnahmen!

1. Das Arbeiten in Nähe einer Bleisäurebatterie ist gefährlich. Batterien können während des Betriebs explosive Gase erzeugen. In Nähe der Batterie sind das Rauchen, Funkenbildung und Flammen unbedingt zu vermeiden. Sorgen Sie dafür, dass der Standort der Batterie ausreichend durchlüftet wird.

2. Schützen Sie Ihre Augen und Ihre Kleidung. Vermeiden Sie es, die Augen zu berühren, wenn Sie in Nähe der Batterien arbeiten. Waschen Sie sich nach Abschluss der Arbeiten die Hände.

3. Bei Kontakt der Batteriesäure mit der Haut oder Kleidung, sofort mit Wasser und Seife abwaschen. Bei Kontakt mit den Augen, Augen sofort mindestens 15 Minuten lang mit kaltem Wasser ausspülen und sofort einen Arzt aufsuchen.

4. Seien Sie vorsichtig, wenn Sie in Nähe der Batterien mit metallischen Werkzeugen arbeiten. Fällt ein metallisches Werkzeug auf eine Batterie, kann dadurch ein Kurzschluss und möglicherweise eine Explosion ausgelöst werden.

5. Legen Sie persönliche Gegenstände wie Ringe, Armbänder, Ketten und Uhren ab, wenn Sie mit einer Batterie arbeiten. Eine Batterie kann durch einen Kurzschluss einen Strom erzeugen, der stark genug ist, um solche Gegenstände zum Schmelzen zu bringen und so schwere Verbrennungen verursachen.

**Beachte:** Sämtliche Anweisung zum VPN gelten auch beim BPP, sofern nicht anders angemerkt.

Zur Installation Ihres VBC benötigen Sie Folgendes:

6. Einen Shunt (Nebenschlusswiderstand). Standardmäßig mitgeliefert ist ein 500 A / 50 mV Shunt. Jedoch kann jeder Shunt mit einer Stromanzeige bis zu 100 mV verwendet werden.
7. Standardmäßig mitgeliefert ist ein zweiadriges flexibles Anschlusskabel AWG21/0,4 mm<sup>2</sup> (für den Shunt).

8. Standardmäßig mitgeliefert ist ein zweiadriges flexibles Anschlusskabel AWG21/0,4 mm<sup>2</sup> mit Inline-Sicherungshalter und einer 1 A trägen Sicherung (für Strom).
9. Standardmäßig mitgeliefert ist ein Temperatursensor.
10. Ein Cat5-Kabel mit zwei RJ45-Steckern (um das VE.Net-Paneel oder andere VE.Net-Geräte (nicht mitgeliefert) anzuschließen).

## **2.2 Montage**

Der VBC kann auf einer Standard-DIN-Schiene montiert werden. Um eine optimales Anzeige sicherzustellen, empfehlen wir, dass Sie die standardmäßig mitgelieferten Kabel verwenden und den Wächter so nahe wie möglich an den Batterien platzieren.

Bei lang andauerndem hohen Stromverbrauch wird der Shunt heiß. Daher sollte der Shunt mit den Lamellen vertikal ausgerichtet werden, um einen optimalen Luftfluss zu gewährleisten.

## **2.3 Verkabelung und Überbrückungen**

Verbinden Sie zunächst die Kabel wie in figure 1 above gezeigt, ohne die Sicherung. Die dicken Linien stellen die Hauptversorgungsleitungen da. Sie sollten für hohe Belastung ausgelegt sein. Nach der Installation und Überprüfung sämtlicher Anschlüsse, platzieren Sie die Sicherung, um den Batteriewächter mit Energie zu versorgen.

Für den Anschluss des Batteriewächters mit einem VE.Net-Paneel (VPN) oder einem anderen VE.Net-Gerät, verwenden Sie bitte ein standardmäßiges gerades Cat5-Kabel. Das in einem VE.Net-Netzwerk verwendete Cat5- Kabel darf höchstens eine Gesamtlänge von 100 m haben.

**Beachte:** Der Shunt und der Temperatursensor sollten die einzigen Drähte sein, die mit dem Minuspol der Batterie verbunden sind. Die Minusanschlüsse aller anderen Geräte (einschließlich des Ladegeräts) müssen an der Lastseite des Shunts (Betriebs Erde) anliegen. Werden die Geräte direkt an den Minuspol der Batterie angeschlossen, kann der VBC ihren Stromfluss nicht messen und liefert inkorrekte Anzeigen.

**Beachte:** Schließen Sie keine anderen Drähte an den Messausgang des Shunts an, da dies die Genauigkeit der Anzeigen beeinflusst.



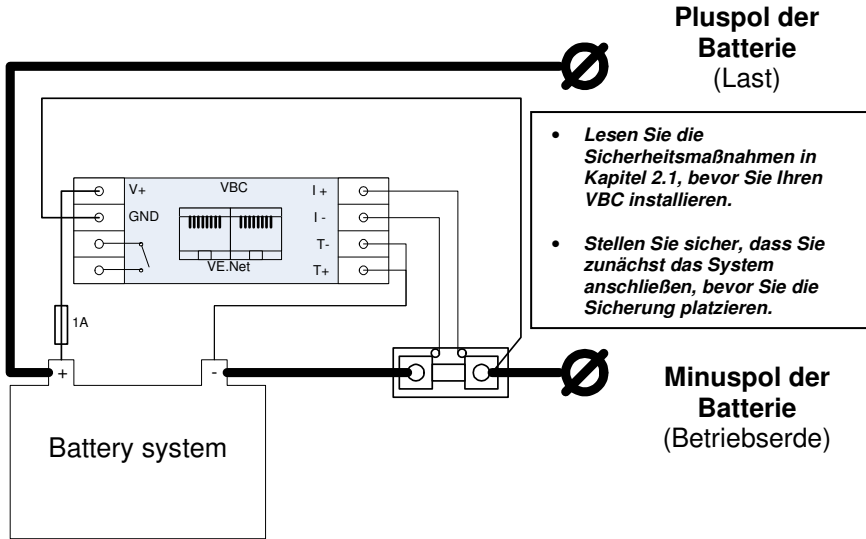
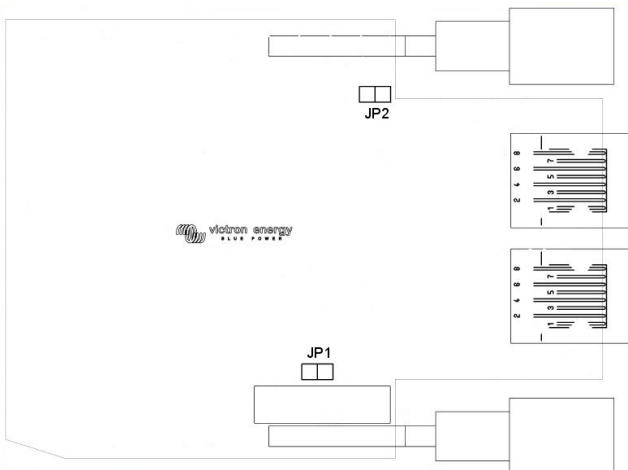


Abbildung 7

Der VBC kann andere VE.Net-Geräte im Netzwerk mit Energie versorgen. Wenn stattdessen ein anderes Gerät das VE.Net mit Energie versorgen soll, entfernen Sie die Überbrückungen JP1 und JP2 wie in figure 2 angegeben.

Abbildung 8

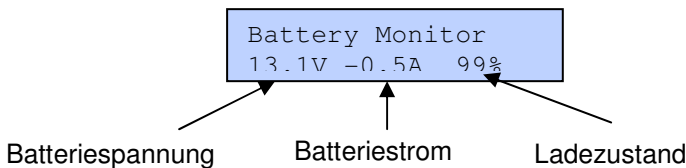


### 3 VERWENDUNG IHRES BATTERIEMONITORS

Die gesamte Steuerung des VBC erfolgt über das VPN. Halten Sie zum Einschalten des VPN eine der Tasten gedrückt, bis das VPN piepst. Wenn das VPN betriebsbereit ist, wird die Geräteliste angezeigt. Wenn weitere VE.Net-Geräte angeschlossen sind, kann es notwendig sein, solange "▼" zu drücken, bis der Batteriewächter angezeigt wird. Weitere Informationen zur Verwendung des VPN finden Sie in der VPN-Bedienungsanleitung.

#### 3.1 "Quick Status"-Zeile (Schnellstatus-Zeile)

Im Hauptmenü des VPN erscheint dieser Bildschirm. Er zeigt die Bezeichnung des VBC und die "Quick Status"-Zeile (Schnellstatus-Zeile) an.



#### 3. Beachte:

7. Man gelangt stets wieder zu dieser Position zurück, indem man wiederholt auf "Cancel" (Abbruch) drückt.
8. Der Ladezustand wird nur dann angezeigt, wenn der VBC synchronisiert wird (siehe auch Kapitel 4.1.3 für zusätzliche Informationen).

#### 3.2 Hauptmenü

Um ausführlichere Informationen zu erhalten, drücken Sie bitte die "Enter"- (Eingabe-) Taste. Sie gelangen dann in das VBC-Menü.

Bezeichnung	Beschreibung	Einheiten
Battery voltage (Batterie-spannung)	Zeigt die Batteriespannung an.	Volt
Battery current (Batteriestrom)	Zeigt den Gleichstrom an, der in die oder aus der Batterie fließt.	Amp.

Bezeichnung	Beschreibung	Einheiten
Consumed Ah (Verbrauchte Ah)	Zeigt die Energie an, die verbraucht wurde, seitdem die Batterie zum letzten Mal voll aufgeladen wurde.	Ampere- stunden
State of charge (Ladezustand)	Der Ladezustand gibt den Prozentsatz der Batteriekapazität an, der noch zum Verbrauch zur Verfügung steht. Bei voll geladener Batterie wird 100 % und bei leerer Batterie 0 % angezeigt. Hieran erkennt man am besten, wann die Batterien neu geladen werden müssen.	Prozent
Time to go (Noch verbleibende Zeit)	Schätzt basierend auf der aktuellen Last die noch verbleibende Zeit, bis die Batterien wieder aufgeladen werden müssen.	Stunden und Minuten
Bat. temperature (Batterietemp.)	Zeigt die Batterietemperatur an.	Grad Celsius
Software-Version (Software-Version)	Die Software-Version dieses Gerätes.	

### 3.3 "Historic data" (Verlauf)

Der VBC zeichnet den Verlauf auf, damit Sie mehr Informationen über den Status und die frühere Verwendung der Batterien erhalten können.

#### 3.3.1 Wo Sie das "Historical Data"- (Verlaufs-) Menü finden

```
Battery Monitor
13.1V -0.5A 99%
```

Schritt 1) Drücken Sie "Enter" (Eingabe) um in das VBC-Menü zu gelangen.

```
Battery voltage
13.10 V
```

Schritt 2) Drücken Sie "▼", um durch das Menü zu blättern, bis Sie zu "Historic Data" (Verlauf) gelangen.

Historic data  
[Press enter]

Schritt 3) Drücken Sie "Enter" (Eingabe), um in das "Historic Data"-Menü zu gelangen.

### 3.3.2 Erläuterung von "Historical Data" (Verlauf)

<b>"Historic data" (Verlauf)</b>		
<b>Bezeichnung</b>	<b>Beschreibung</b>	<b>Einheit</b>
Deepest discharg (Tiefste Entladung)	Die tiefste Entladung in Ah.	Amperestunden
Depth last disch. (Tiefe letzte Entl.)	Die Tiefe der letzten Entladung in Ah. Dieser Wert wird auf 0 gesetzt, wenn der Ladezustand wieder 100% erreicht hat.	Amperestunden
Average discharg (Durchschnittliche Entladung)	Die durchschnittliche Entladung bei allen gezählten Zyklen.	Amperestunden
Number of cycles (Anzahl der Zyklen)	Jedes Mal, wenn die Batterie unter 65 % ihrer Nennkapazität entladen und dann wieder auf mindestens 90 % geladen wird, wird als ein Zyklus gerechnet.	
Full discharge (Vollständige Entladungen)	Die Anzahl der Male, bei der die Batterie bis auf einen Ladezustand von 0 % entladen wurde.	
Cumulative Ah (Gesamt Ah)	Verzeichnet die Gesamtenergie, die während aller Ladezyklen verbraucht wurde.	Amperestunden
Last full charge (Letztes vollständiges Laden)	Die Zeit, die seit dem letzten vollständigen Laden der Batterie vergangen ist.	Tage
Maximum voltage (Maximum Spannung)	Gemessenes Maximum. Damit kann überprüft werden, ob fehlerhafte Ladegeräte oder Generatoren vorhanden sind.	Volt
Minimum voltage (Minimum Spannung)	Geringste gemessene Spannung. Hiermit kann überprüft werden, ob die Batterien übermäßig entladen wurden.	Volt

## 4 SETUP

### 4.1 Hintergrundinformationen

#### 4.1.1 Der Ladewirkungsgrad (Charge Efficiency Factor - CEF)

Bei einem Batterieladevorgang ist nicht die gesamte Energie, die auf die Batterie übertragen wird, bei der Entladung verfügbar. Der Ladewirkungsgrad (CEF) einer fabrikneuen Batterie liegt bei ca. 90 %. Das bedeutet, dass auf die Batterie 10 Ah übertragen werden müssen, um 9 Ah tatsächlich in der Batterie zu speichern. Der CEF der Batterie nimmt mit ihrem Alter ab.

#### 4.1.2 Peukert-Exponent

Wie in Kapitel 1.4 erwähnt, gibt die Peukert-Effizienz an, wie die Amperestundenzahl einer Batterie abnimmt, wenn man sie schneller als mit der 20h Nennleistung lädt. Die Höhe des Verlustes der Batteriekapazität wird Peukert-Exponent genannt und kann von 1,00 bis 1,50 angepasst werden. Je höher der Peukert Exponent, desto schneller verringert sich bei steigender Entladerate die Batteriegröße. Eine ideale (theoretische) Batterie hat einen Peukert-Exponenten von 1,00 und eine festgelegte Kapazität. Sie ist unabhängig von der Entladungsstromstärke. Natürlich gibt es solche Batterien nicht und die Einstellung von 1,00 am VBC dient nur dazu, die Peukert-Kompensierung zu umgehen. Die Standard-Einstellung für den Peukert-Exponenten ist 1,25. Dies ist ein akzeptabler Mittelwert für die meisten Bleisäure-Batterietypen. Für die genaue Batterieüberwachung ist es jedoch unerlässlich, den korrekten Peukert-Exponenten einzugeben. Wenn bei Ihrer Batterie kein Peukert-Exponent angegeben wurde, können Sie ihn mithilfe weiterer Angaben berechnen, die bei Ihrer Batterie angegeben sein sollten.

Die Peukert-Gleichung wird im Folgenden angegeben:

$$C_p = I^n \cdot t \quad \text{wenn der Peukert-Exponent, } n = \frac{\log t_2 - \log t_1}{\log I_1 - \log I_2}$$

Die Batterieangaben, die Sie für die Berechnung des Peukert-Exponenten benötigen, sind die festgelegte Batteriekapazität

(normalerweise 20 h Entladerate<sup>7</sup>) und zum Beispiel eine Entladerate von 5h<sup>8</sup>. Im Folgenden finden Sie ein Beispiel zur Bestimmung des Peukert-Exponenten mithilfe dieser beiden Angaben.

Nennwert 5 h

$$C_{5hr} = 75 Ah$$

$$t_1 = 5 hr$$

$$I_1 = \frac{75 Ah}{5 hr} = 15 A$$

Nennwert 20 h,

$$C_{20hr} = 100 Ah \text{ (rated capacity)}$$

$$t_2 = 20 hr$$

$$I_2 = \frac{100 Ah}{20 hr} = 5 A$$

$$\text{Peukert exponent, } n = \frac{\log 20 - \log 5}{\log 15 - \log 5} = 1.26$$

Wenn gar keine Nennwerte angegeben sind, können Sie Ihre Batterie mithilfe einer konstanten Lastbank messen. Auf diese Weise lässt sich zusätzlich zum Nennwert 20h, der in den meisten Fällen der festgelegten Batteriekapazität entspricht, ein zweiter Nennwert ermitteln. Dieser zweite Nennwert kann ermittelt werden, indem eine voll aufgeladene Batterie mit einem konstanten Strom entladen wird, bis die Batterie 1,75 V pro Zelle erreicht (entspricht bei einer 12 V Batterie 10,5 V bzw. bei einer 24 V Batterie 21 V). Es folgt ein Berechnungsbeispiel:

<sup>7</sup>Bitte beachten Sie, dass die festgelegte Batteriekapazität auch als die Entladerate von 10 h oder sogar 5 h definiert werden kann.

<sup>8</sup>Die Entladerate von 5h in diesem Beispiel ist willkürlich. Stellen Sie sicher, dass Sie neben dem Nennwert C<sub>20</sub> (niedriger Entladestrom) einen zweiten Nennwert mit einem wesentlich höheren Entladestrom auswählen.

Eine Batterie mit 200 Ah wird mit einem konstanten Strom mit 20 A entladen. Nach 8,5 Stunden wird der Wert 1,75 V/Zelle erreicht.

Also:  $t_1 = 8,5hr$   
 $I_1 = 20A$

Nennwert 20 h,

$$C_{20hr} = 200Ah$$

$$t_2 = 20hr$$

$$I_2 = \frac{200Ah}{20hr} = 10A$$

$$\text{Peukert exponent, } n = \frac{\log 20 - \log 8.5}{\log 20 - \log 10} = \underline{1.23}$$

Ein Peukert-Rechner steht Ihnen auf [www.victronenergy.com](http://www.victronenergy.com) zur Verfügung.

#### 4.1.3 Synchronisierung des Batteriemonitors

Um eine verlässliche Anzeige des Ladezustands Ihrer Batterie zu erzielen, muss der Batteriemonitor regelmäßig mit der Batterie und dem Ladegerät synchronisiert werden. Dies erfolgt durch das vollständige Aufladen der Batterie. Wird das Ladegerät im Erhaltungsmodus betrieben, so erachtet es die Batterie als voll aufgeladen. Zu diesem Zeitpunkt muss der VBC die Batterie ebenso als voll geladen ansehen. Der Amperestundenzähler kann jetzt auf Null und der Ladezustand auf 100% gesetzt werden.

**Nach einer Unterbrechung der Spannung zum VBC, muss der Batteriemonitor erst wieder synchronisiert werden, bevor er korrekt arbeiten kann.**

Bitte beachten Sie, dass durch ein regelmäßiges Aufladen Ihrer Batterie (mindestens einmal im Monat), die Batterie nicht nur mit dem VBC synchron bleibt, sondern so auch erhebliche Kapazitätsverluste vermieden werden können, die die Lebensdauer Ihrer Batterie stark verringern.

#### 4.1.4 Synchronisations-Parameter

Basierend auf der steigenden Ladespannung und dem abnehmenden Ladestrom kann ein Schluss gezogen werden, ob die Batterie voll aufgeladen ist, oder nicht. Liegt die Batteriespannung eine vorgegebene Zeit lang über einem bestimmten Schwellwert während der Ladestrom während derselben Zeit unter einem bestimmtem Schwellwert liegt, kann die Batterie als voll aufgeladen erachtet werden. Diese Werte werden Synchronisations-Parameter genannt. Bei einer 12 V Bleisäure-Batterie liegt die Synchronisationsspannung normalerweise bei 13,2 V und der Synchronisationsstrom beträgt 4,0 % der gesamten Batteriekapazität (z. B. 8 A bei einer 200 Ah Batterie). Bei den meisten Batteriesystemen genügt eine Synchronisationszeit von 4 min. Bitte beachten Sie, dass diese Parameter für die korrekte Funktion Ihres VBC äußerst wichtig sind und in den jeweiligen Menüpunkten in geeigneter Weise eingestellt werden müssen.



## 4.2 Allgemeine Einstellungen

### 4.2.1 Wo Sie das "Setup monitor"- (Monitor-Setup-) Menü finden

Battery Monitor  
12.1V 0.0A 100%

Schritt 1) Drücken Sie "Enter" (Eingabe) um in das VBC-Menü zu gelangen.

Battery voltage  
12.10 V

Schritt 2) Drücken Sie "▼", um durch das Menü zu blättern, bis Sie zu "Setup monitor" (Monitor-Setup) gelangen.

Setup controller  
[Press enter]

Schritt 3) Drücken Sie "Enter" (Eingabe) um in das "Setup monitor"-Menü zu gelangen.

**Beachte:** Wenn Sie das "Setup monitor"-Menü nicht finden können, überprüfen Sie, dass sich Ihr VPC im "user and install"-Modus (Nutzer- und Installations- Modus) befindet.

### 4.2.2 Erläuterung der Setup-Parameter

Monitor-Setup				
Bezeichnung	Beschreibung	Stand.-einst.	Bereich	Schr.-weite
Battery capacity (Batteriekapazität)	Die Batteriekapazität in Amperestunden (Ah) bei einer Entladerate von 20 h.	200 Ah	20-65535	5
Sync. voltage (Synchron.-Spannung)	Der Batteriewächter erachtet die Batterie als voll aufgeladen, wenn die Spannung über diesem Schwellwert liegt. Dieser Wert sollte etwas unter dem Wert der Erhaltungsspannung des Ladegeräts eingestellt werden.	13,2 V	10-72	0,1
Sync. current (Synchr.-Strom)	Liegt der Ladestrom unter diesem Prozentsatz der Batteriekapazität, kann die Batterie als voll aufgeladen erachtet werden.	4 %	1-10	1
Sync time (Synchr.-Zeit)	Die Mindestdauer, für die die beiden obigen Parameter gelten müssen, damit die Batterie als voll geladen angesehen werden kann.	4 min	1-4	1

<b>Monitor-Setup</b>				
<b>Bezeichnung</b>	<b>Beschreibung</b>	<b>Stand.-einst.</b>	<b>Bereich</b>	<b>Schr.-weite</b>
Bat. temperature (Batterietemp.)	Wird die Verbindung zum Temperatursensor unterbrochen, wird dieser Wert bei den Berechnungen verwendet.	20 °C	0-50	1
Resync. to 100%? (Resynchr. auf 100%?)	Stellt den Ladezustand manuell wieder auf 100 % ein.			
Device name (Gerätebezeichnung)	Die Bezeichnung des Batteriewächters, die im VPN verwendet wird.	Battery-Monitor (Batterie-Monitor)		

Die Einstellungen beim erweiterten Menü ermöglichen eine Feineinstellung der Batteriemonitor-Berechnungen, die der VBC durchführt. Die Standardwerte sind für die meisten Batteriesysteme geeignet. Ändern Sie diese also bitte nicht, sofern Sie sich der Konsequenzen nicht voll bewusst sind.

<b>Erweiterte Einstellungen</b>				
<b>Bezeichnung</b>	<b>Beschreibung</b>	<b>Standard-einstellung</b>	<b>Bereich</b>	<b>Schr.-weite</b>
Charge eff fact. (Ladewirkungsgrad)	Beim Aufladen einer Batterie geht Energie verloren. Der Ladewirkungsgrad (CEF) kompensiert die verloren gegangene Energie. Hierbei bedeutet 1, dass keine Energie verloren gegangen ist und 0,5, dass 50 % der Energie verloren gegangen sind.	0,9	0,5-1	0,05
Peukert exponent (Peukert-Exponent)	Der Peukert-Exponent für Ihre Batterie (beachten Sie Kapitel 4.1.2 für weitere Informationen). Auf 1,00 einstellen, um die Peukert-Kompensierung zu deaktivieren. Bezüglich des Peukert-Exponenten wenden Sie sich bitte an Ihren Batterie-Hersteller.	1,25	1-1,5	0,01
Temperature coef (Temperaturkoeff.)	Dies ist der Prozentsatz, um den sich die Batteriekapazität mit der Temperatur verändert.	0,5	0,5-0,95	0,05
Current threshol (Strom-Schwellwert)	Dieser Wert wird als 0 Amp angesehen, um sicherzustellen, dass Fehler eliminiert werden.	0,1 A	0-5	0,1
Shunt current (Shunt-Strom)	Der maximale Nennstrom des Shunt.	500 A	5-50000	5
Shunt voltage (Shunt-Spannung)	Die Ausgangsspannung des Shunt bei maximalem Nennstrom.	50 mV	1-100	1
Current offset (Strom-Offset)	Wird zur Korrektur kleiner Fehler in der Strommessung verwendet. Diese werden durch ungewollte Offsets verursacht, die von den Messkabeln aufgenommen	0 A	-60000 - 60000	0,01

Erweiterte Einstellungen				
Bezeichnung	Beschreibung	Standard-einstellung	Bereich	Schr.-weite
Battery current (Batteriestrom)	werden. Reproduziert die Stromanzeige vom Menü der obersten Ebene. Hierdurch können die Auswirkungen von Änderungen beim Strom-Offset verfolgt werden, ohne dass durch die Hierarchie des Menüs navigiert werden muss.			

### 4.3 Alarme

Der VBC ist mit einem Relais ausgestattet, das auf die Anzeige von Alarmen eingestellt werden kann, oder, wenn es an einen Generator angeschlossen ist, den Generator automatisch ein- und ausschalten kann. Es können außerdem auch Alarmsignale an das VPN abgegeben werden. Dieses wiederum lässt sich so einstellen, dass dann ein Alarm ertönt oder ein anderes Relais gesteuert wird. Jeder Alarmtyp lässt sich so konfigurieren, dass entweder das Relais aktiviert oder ein Paneel-Alarm abgegeben wird, oder auch beides gleichzeitig erfolgt. Die Alarmfunktionen können auch vollständig deaktiviert werden.

#### 4.3.1 Wo Sie das "Setup Alarms"- (Alarm-Setup-) Menü finden

Battery Monitor  
12.1V 0.0A 100%

Schritt 1) Drücken Sie "Enter" (Eingabe) um in das VBC-Menü zu gelangen.

Battery voltage  
12.10 V

Schritt 2) Drücken Sie "▼", um durch das Menü zu blättern, bis Sie Folgendes sehen "

Setup alarms  
[Press enter]

Schritt 3) Drücken Sie "Enter" (Eingabe) um in das "Setup alarms"-Menü zu gelangen.

**Beachte:** Wenn Sie das "Setup alarms"-Menü nicht finden können, überprüfen Sie, dass sich Ihr VPC im "user and install"-Modus (Nutzer- und Installations- Modus) befindet.

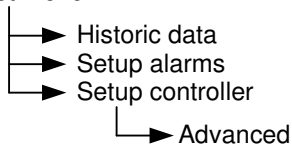
#### 4.3.2 Alarm-Optionen - Erläuterung

Setup alarms (Alarm Setup)				
Bezeichnung	Beschreibung	Stand.-einst.	Bereich	Schr.-weite
Low voltage (Niedrige Spannung)	Wird dieser Schwellwert unterschritten, wird ein Niederspannungs-Alarm ausgelöst.	10,5 V	10-72	0,1
Low voltage clr (Niedrige Spannung absch.)	Wird dieser Schwellwert überschritten, wird ein Niederspannungs-Alarm wieder abgeschaltet.	10,5 V	10-72	0,1
Low volt action (Niedrige Spannung - Maßnahme)	Die Art der Maßnahme, die bei einem aktivierten Niederspannungs-Alarm unternommen werden soll.	Keine	None, Relay, Panel, Both (Keine, Relais, Paneel, Beide)	
High voltage (Spannung HOCH)	Wird dieser Schwellwert überschritten, wird ein Hochspannungs-Alarm ausgelöst.	16 V	10-72	0,1
High voltage clr (Spannung HOCH absch.)	Wird dieser Schwellwert unterschritten, wird ein Hochspannungsalarm-Alarm wieder abgeschaltet.	16 V	10-72	0,1
High volt. action (Spannung HOCH - Maßnahme)	Die Art der Maßnahme, die bei einem aktivierten Hochspannungs-Alarm unternommen werden soll.	Keine	None, Relay, Panel, Both (Keine, Relais, Paneel, Beide)	
Low SOC (Ladezustand schwach)	Wird dieser Schwellwert unterschritten, wird der Alarm "Ladezustand schwach" ausgelöst.	80 %	0-100	1
Low SOC clr (Ladezustand schwach absch.)	Wird dieser Schwellwert überschritten, wird der Alarm "Ladezustand schwach" wieder abgeschaltet.	80 %	0-100	1
Low SOC action (Ladezustand schwach - Maßnahme)	Die Art der Maßnahme, die bei einem aktivierten Alarm "Ladezustand schwach" unternommen werden soll.	Keine	None, Relay, Panel, Both (Keine, Relais, Paneel, Beide)	

Setup alarms (Alarm Setup)				
Bezeichnung	Beschreibung	Stand.- einst.	Bereich	Schr.- weite
Low current (Strom niedrig)	Wird dieser Schwellwert unterschritten, wird ein Niedrigstrom-Alarm ausgelöst.	-100 A	-30000 – 0	5
Low current clr. (Strom niedrig absch.)	Wird dieser Schwellwert überschritten, wird ein Niedrigstrom-Alarm wieder abgeschaltet.	-90 A	-30000 – 0	5
Low current action (Strom niedrig - Maßnahme)	Die Art der Maßnahme, die bei einem aktivierten Niedrigstrom-Alarm unternommen werden soll.	Keine	None, Relay, Panel, Both (Keine, Relais, Paneel, Beide)	
High current (Strom hoch)	Wird dieser Schwellwert überschritten, wird ein Hochstrom-Alarm ausgelöst.	100	0 – 30000	5
High current clr (Strom hoch absch.)	Wird dieser Schwellwert unterschritten, wird ein Hochstrom-Alarm wieder abgeschaltet.	90	0 – 30000	5
High cur. action (Strom hoch - Maßnahme)	Die Art der Maßnahme, die bei einem aktivierten Hochstrom-Alarm unternommen werden soll.	Keine	None, Relay, Panel, Both (Keine, Relais, Paneel, Beide)	
Enable delay (Verzögerung aktivieren)	Die Dauer, für die eine Alarmbedingung gegeben sein muss, um den Alarm auszulösen.	0 s	0 – 255	1
Disable delay (Verzögerung deaktivieren)	Die Dauer, für die eine Bedingung zum Abschalten des Alarms gegeben sein muss, um den Alarm zu deaktivieren.	0 s	0 – 255	1
Min. enable time (Mindestzeit Aktivierung)	Die Mindestdauer, für die das Relais geschlossen bleiben darf, nachdem eine Alarm-Bedingung aufgetreten ist.	0 min	0 – 255	1

#### 4.4 Übersicht über die Menü-Struktur

Root menu



## 5 TECHNISCHE DATEN

Spannungsbereich Stromvers.	9 ... 70 V DC
Versorgungsstrom	
Relais deaktiviert	<5 mA
Relais aktiviert	<20 mA
Betriebstemperaturbereich	0 ... 50 °C
Potentialfreier Alarm-Anschluss:	
Modus	Normal offen
Nennwert	30 V/3 A max.
Maße	75 x 110 x 23 mm
Nettogewicht	95 g
Material:	
Gehäuse	ABS

## 6 ANMERKUNGEN:

EN

NL

FR

DE

ES

SE





# 1 INTRODUCCIÓN

Victron Energy ha establecido una reputación internacional como diseñador y fabricante líder de sistemas energéticos. Nuestro departamento de I+D es la fuerza que mantiene esta reputación. Se encuentra siempre buscando nuevas maneras de incorporar la última tecnología en nuestros productos. Cada paso adelante significa valor añadido, en forma de características técnicas y económicas.

## ***1.1 Presentación de VE.Net***

VE.Net es el acrónimo de Victron Energy Network. Permite a todos los dispositivos compatibles con VE.Net comunicarse entre sí. Esto significa que el cargador, por ejemplo, puede obtener información del monitor de baterías para optimizar la corriente de carga. Es posible controlar y supervisar todos sus dispositivos VE.Net desde un único panel de control compatible con VE Net. Esto ahorra espacio y le permite controlar todos sus dispositivos desde un mismo lugar. Sin embargo, no es necesario limitarse a un solo panel. Se pueden utilizar distintos paneles en la red, lo que permite controlar y supervisar todos los dispositivos desde varios lugares.

## ***1.2 Controlador de baterías VE.Net***

El controlador de baterías VE.Net (VBC) es un dispositivo que supervisa el estado de su batería. Mide constantemente la tensión, la corriente y la temperatura de la batería y utiliza esta información para calcular el estado de la carga de la misma. Esta información puede después consultarse en un panel VE.Net (VPN), o en un panel Blue Power de VE.Net (BPP). Si se utiliza con un panel Blue Power, el VBC puede usarse para proporcionar un resumen gráfico de su sistema de baterías.

## ***1.3 ¿Por qué debería supervisar sus baterías?***

La vida útil de sus baterías depende de muchos factores. Si supervisa sus baterías y el proceso de carga de las mismas, podrá evitar que estas se carguen demasiado o no lo suficiente, o que se descarguen del todo. Un controlador de baterías le avisa si surge cualquier problema con la corriente de carga o con las demás condiciones de las baterías.

#### **1.4 ¿Cómo funciona el controlador de baterías VE.Net?**

La capacidad de una batería se mide en amperios/hora (Ah.). Por ejemplo, se dice que una batería que puede suministrar una corriente de 5 amperios durante un periodo de 20 horas tiene una capacidad de 100 Ah. ( $5 * 20 = 100$ ). El VBC mide continuamente el flujo de corriente neto que entra o sale de la batería, de manera que puede calcular la cantidad de energía que se retira o se añade a la misma. Pero, debido a que la edad de la batería, la corriente de descarga y la temperatura influyen en la capacidad de la batería; no se puede depender sólo de una lectura amperios/hora. Cuando esa misma batería de 100 Ah. se descarga completamente en dos horas, puede que sólo le proporcione 56 Ah. (debido al mayor ritmo de descarga).

Como se puede ver, la capacidad de la batería se reduce casi a la mitad. Este fenómeno se denomina Ley de Peukert (ver el capítulo 4.1.2). Además, cuando la temperatura de la batería es baja, su capacidad se ve aún más disminuida. Esta es la razón por la que los simples medidores de amperios/hora, o voltímetros, están lejos de darle una indicación precisa del estado de la carga.

El VBC puede mostrarle tanto el estado de la carga sin amperios/hora (no compensados) y el real (compensado con la Ley de Peukert y con el factor de eficacia de la carga). La lectura del estado de la carga es la mejor manera de leer su batería. Este parámetro se muestra en porcentajes, donde el 100 % representa una batería completamente cargada y el 0% una batería completamente descargada. Es comparable a la lectura del indicador de combustible en un coche.

El VBC también realiza una evaluación del tiempo que la batería puede soportar la carga presente (lectura de tiempo restante). Esta lectura representa el tiempo que queda antes de que la batería deba cargarse de nuevo (50% del estado de la carga). Descargar la batería por debajo del 50% reduce de manera importante la vida útil de la batería. Si la carga de la batería fluctúa demasiado, lo mejor será no confiar demasiado en esta lectura, ya que es un resultado momentáneo y debe utilizarse sólo como referencia. Siempre aconsejamos la lectura del estado de la carga (SOC) para un control preciso de la batería.

## 2 INSTALACIÓN DEL MONITOR DE BATERÍAS

### 2.1 ¡Precauciones de seguridad!

1. Trabajar alrededor de una batería de plomo y ácido es peligroso. Las baterías pueden producir gases explosivos durante su funcionamiento. Nunca fume o permita que se produzcan chispas o llamas en las inmediaciones de una batería. Proporcione una ventilación suficiente alrededor de la batería.
2. Use indumentaria y gafas de protección. Evite tocarse los ojos cuando trabaje cerca de baterías. Lávese las manos cuando haya terminado.
3. Si el ácido de la batería tocara su piel o su ropa, lávese inmediatamente con agua y jabón. Si el ácido se introdujera en los ojos, enjuáguelos inmediatamente con agua fría corriente durante al menos 15 minutos y busque atención médica de inmediato.
4. Tenga cuidado al utilizar herramientas metálicas alrededor de las baterías. Si una herramienta metálica cayera sobre una batería podría provocar un corto circuito y, posiblemente, una explosión.
5. Retire sus artículos metálicos personales, como anillos, pulseras, collares y relojes al trabajar con una batería. Una batería puede producir una corriente de cortocircuito lo bastante alta como para fundir dichos objetos, provocando quemaduras severas.

**Nota:** Todas las instrucciones referidas al VPN también se refieren al BPP, a menos que se diga lo contrario.

Para instalar su VBC necesitará:

11. Un derivador. El derivador suministrado de fábrica es de 500 A / 50 mV, pero cualquier derivador con una corriente nominal de hasta 100 mV puede servir.
12. Un cable de conexión estándar AWG21/0.4 mm<sup>2</sup> flexible de dos hilos suministrado de fábrica (para el derivador).

13. Dos cables de conexión estándar AWG21/0.4 mm<sup>2</sup>, flexibles de dos hilos, suministrados de fábrica, con portafusibles y fusible de 1A de fusión lenta (para potencia).
14. Sensor de temperatura estándar suministrado de fábrica.
15. Cable Cat5 con dos conectores RJ45 (para conectar un panel VE.Net u otros dispositivos VE.Net (no suministrado).

## **2.2 Montaje**

El VBC puede montarse en un raíl DIN estándar. Para garantizar la mejor lectura posible, recomendamos que utilice los cables suministrados de fábrica y coloque el controlador tan cerca de las baterías como sea posible.

Durante los periodos prolongados de alto consumo eléctrico, el derivador se calentará. Por lo tanto, se recomienda montar el derivador con las lamapas orientadas verticalmente para que el flujo de aire sea óptimo.

## **2.3 Cableado y puentes**

En primer lugar, conecte el cableado tal y como se muestra en la figura 1 más abajo, sin el fusible. Las líneas gruesas representan los pasos de los cables de corriente principales; estos deberían ser reforzados. Después de la instalación, y tras comprobar todas las conexiones, coloque el fusible para alimentar el controlador de baterías.

Conecte el controlador de baterías a un panel VE.Net (VPN) o a otro dispositivo VE.Net utilizando un cable directo Cat5 estándar. La longitud total de los cables Cat5 utilizados en la red VE.Net no deberá exceder los 100 m.

**Nota:** El derivador y el sensor de temperatura deberían ser los únicos cables conectados al terminal negativo de la batería. Las conexiones negativas de todos los demás dispositivos (incluidos los cargadores) deberán ir del lado de la carga del derivador (tierra del sistema). Si los dispositivos están conectados directamente al terminal negativo de la batería, el VBC no podrá realizar mediciones de sus respectivos flujos de corriente, y dará lecturas incorrectas.

**Nota:** No conecte ningún otro dispositivo en la salida de mediciones del derivador, ya que esto afectará a la precisión de las lecturas.

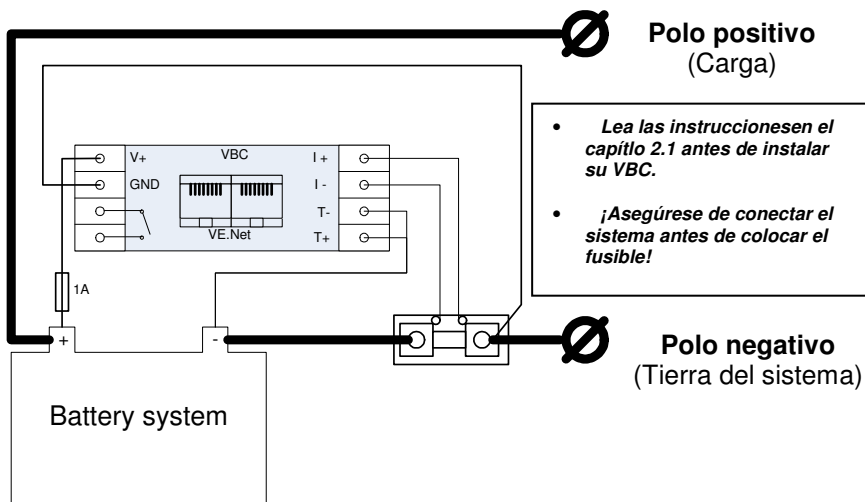
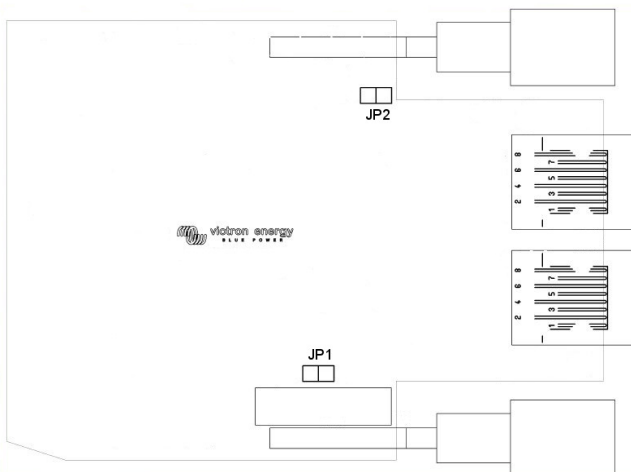


Figura 1

El VBC es capaz de alimentar otros dispositivos VE.Net conectados a la red. Si el encargado de alimentar a la VE.Net es otro dispositivo distinto al derivador, retire los puentes JP1 y JP2 mostrados en la figura 2.

Figura 2

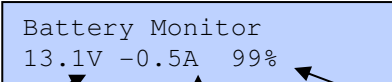


### 3 USO DEL MONITOR DE BATERÍAS

Todo el control del VBC se proporciona a través del VPN. Para activar el VPN, pulse uno de los botones hasta que el VPN emita un bip. Una vez haya terminado de arrancar el VPN, aparecerá la lista de dispositivos. Si hubiera otros dispositivos VE.Net conectados, podría ser necesario pulsar “▼” hasta que aparezca el controlador de baterías. Para más información sobre el uso del VPN, consulte el manual del VPN.

#### 3.1 Línea “resumen del estado”

En el menú raíz del VPN verá esta pantalla, que consiste en el nombre del VBC y la línea “resumen del estado”



Battery Monitor  
13.1V -0.5A 99%

Tensión de la batería    Corriente de la batería    Estado de la carga

#### Notas:

1. Puede regresar en cualquier momento a esta posición pulsando “Cancel” repetidamente.
2. El estado de la carga sólo se muestra cuando el VBC está sincronizado (ver capítulo 4.1.3 para más información).

#### 3.2 Menú principal

Para ver una información más detallada, pulse el botón “Enter” para entrar en el menú VBC.

Nombre	Descripción	Unidades
Battery voltage (tensión de la batería)	Muestra la tensión de la batería.	Voltios.
Battery current (corriente de la batería)	Muestra la corriente CC que entra o sale de la batería.	Amperios.

Nombre	Descripción	Unidades
Consumed Ah (Ah consumidos)	Muestra la energía consumida desde la última carga completa de la batería.	Amperios /hora
State of charge (estado de la carga)	El estado de la carga indica el porcentaje de capacidad de la batería que queda disponible para su consumo. Una batería cargada mostrará 100% y una vacía mostrará 0%. Esta es la mejor manera de saber cuándo se necesita recargar las baterías.	Porcentaje.
Time to go (tiempo restante)	Muestra el tiempo estimado, basado en la carga actual, antes de que se necesite recargar las baterías.	Horas y minutos.
Bat. temperature (temp. de la batería)	Muestra la temperatura de la batería.	Grados Celsius
Software version (versión de software)	La versión de software de este dispositivo.	

### 3.3 Histórico de datos

El VBC mantendrá un histórico de datos que le permitirá obtener más información sobre el estado y el uso anterior de las baterías.

#### 3.3.1 ¿Dónde encontrar el menú "Historical data" (histórico de datos)

```
Battery Monitor
13.1V -0.5A 99%
```

Paso 1) Pulse "Enter" para entrar en el menú del VBC.

```
Battery voltage
13.10 V
```

Paso 2) Pulse "▼" para desplazarse por el menú hasta ver "Historic Data".

```
Historic data
[Press enter]
```

Paso 3) Pulse "Enter" para entrar en el menú "Historic data".

### 3.3.2 Explicación del histórico de datos

Histórico de datos		
Nombre	Descripción	Unidad
Deepest discharg (descarga más profunda)	La descarga más profunda, en Ah.	Amperios/hora
Depth last disch (magnitud de la última descarga)	La magnitud de la última descarga, en Ah. Este valor se pondrá a 0 cuando el estado de la carga alcance de nuevo el 100%.	Amperios/hora
Average discharg	La descarga media sobre todos los ciclos contabilizados	Amperios/hora
Number of cycles (cantidad de ciclos)	Cada vez que la batería se descarga por debajo del 65% de su capacidad nominal y se vuelve a cargar hasta al menos el 90%, se cuenta un ciclo.	
Full discharges (descargas completas)	Las veces que la batería ha sido descargada hasta un estado de carga del 0%.	
Cumulative Ah (Ah acumulados)	Registra la totalidad de la energía consumida en todos los ciclos de carga.	Amperios/hora
Last full charge (última descarga completa)	El tiempo que ha pasado desde la última carga completa de la batería.	Días.
Maximum voltage (tensión máxima)	Tensión máxima medida. Puede utilizarse para comprobar si hay cargadores y alternadores averiados.	Voltios.
Minimum voltaje (tensión mínima)	Tensión mínima medida. Puede utilizarse para comprobar si las baterías han sido excesivamente descargadas.	Voltios.



## 4 CONFIGURACIÓN

### 4.1 Información preliminar

#### 4.1.1 Factor de eficacia de la carga

Durante la carga de la batería, no toda la energía transferida a la misma está disponible cuando se está descargando la batería. El factor de eficacia de la carga (CEF) de una batería completamente nueva es de aproximadamente el 90 %. Esto significa que se deben transferir 10Ah a la batería para almacenar 9Ah reales. El CEF de una batería disminuirá con el tiempo.

#### 4.1.2 El exponente Peukert

Como ya se mencionó en el capítulo 1.4, la Ley de Peukert describe cómo la capacidad Ah disminuye al descargarse una batería más rápidamente que su cadencia normal de 20 hrs. La cantidad de reducción de la capacidad de la batería se denomina “el exponente Peukert” y puede ajustarse entre 1,00 y 1,50. Cuanto más alto sea el exponente de Peukert, más rápidamente disminuirá el tamaño de la batería con un ritmo de descarga cada vez mayor. La batería ideal (teórica) tiene un exponente de Peukert de 1,00 y una capacidad fija, sin importar la magnitud de la descarga de corriente. Por supuesto, baterías así no existen y un ajuste de 1,00 en el VBC sólo se configura para eludir la compensación Peukert. La configuración por defecto del exponente de Peukert es 1,25, siendo este un valor medio aceptable para la mayoría de baterías de plomo-ácido. Sin embargo, para un control preciso de la batería, es esencial introducir el exponente de Peukert correcto. Si el exponente de Peukert no se suministra con su batería, lo podrá calcular utilizando otras especificaciones que sí deberían venir con su batería.

A continuación se muestra la ecuación Peukert:

$$C_p = I^n \cdot t \quad \text{donde el exponente de Peukert, } n = \frac{\log t_2 - \log t_1}{\log I_1 - \log I_2}$$

Las especificaciones de la batería necesarias para calcular el exponente de Peukert son: la capacidad nominal de la batería, (normalmente la que

tiene un ritmo de descarga de 20 hrs<sup>9</sup>) y, por ejemplo, un ritmo de descarga de 5 hrs<sup>10</sup>.. Consulte los ejemplos de cálculo más abajo para definir el exponente de Peukert utilizando estas dos especificaciones:

Ritmo de 5  $C_{5hr} = 75Ah$  hrs,

$$t_1 = 5hr$$

$$I_1 = \frac{75Ah}{5hr} = 15A$$

Ritmo de 20  $C_{20hr} = 100Ah$  (rated capacity) hrs,

$$t_2 = 20hr$$

$$I_2 = \frac{100Ah}{20hr} = 5A$$

$$\text{Peukert exponent, } n = \frac{\log 20 - \log 5}{\log 15 - \log 5} = 1.26$$

Cuando no se proporciona ningún ritmo en absoluto, podrá medir su batería utilizando un banco de carga constante. De esta manera se podrá obtener un segundo ritmo, junto con el ritmo de 20 hrs. que representa la capacidad nominal de la batería en la mayoría de los casos. Este segundo ritmo puede definirse descargando una batería completamente cargada mediante una corriente constante, hasta que la batería alcance 1,75 V. por celda (es decir 10,5 V. para una batería de 12 V. ó 21 V. para una batería de 24 V.). A continuación se muestra un ejemplo:

Se descarga una batería de 200 Ah. mediante una corriente constante de 20 A. y tras 8,5 horas se alcanzan 1,75 V/celda.

Así pues,  $t_1 = 8.5hr$   
 $I_1 = 20A$

Ritmo de 20  $C_{20hr} = 200Ah$  hrs,

$$t_2 = 20hr$$

$$I_2 = \frac{200Ah}{20hr} = 10A$$

<sup>9</sup> Tenga en cuenta que la capacidad nominal de la batería también puede definirse como el ritmo de descarga de 10 hr. o incluso 5 hr.

<sup>10</sup> El ritmo de descarga de 5 hrs. en este ejemplo es arbitrario. Asegúrese de que, además del ritmo  $C_{20}$  (corriente de descarga baja), selecciona un segundo ritmo con una corriente de descarga bastante mayor.

$$\text{Peukert exponent, } n = \frac{\log 20 - \log 8.5}{\log 20 - \log 10} = 1.23$$

La página Web <http://www.victronenergy.com> dispone de una calculadora Peukert.

#### 4.1.3 *Sincronización del monitor de baterías*

Para obtener una lectura fiable del estado de carga de su batería, el monitor de la misma debe sincronizarse periódicamente con la batería y con el cargador. Esto se consigue cargando la batería completamente. Cuando el cargador está funcionando en la etapa de “flotación”, el cargador considera que la batería está cargada. Llegado este momento el VBC también debe determinar que la batería está llena. Ahora el contador de amperios/hora puede ponerse a cero y la lectura del estado de la carga puede ajustarse a 100 %.

4. Cuando se interrumpa la alimentación del VBC, el monitor de baterías deberá volver a sincronizarse para funcionar de nuevo con normalidad.

Tenga en cuenta que cargar la batería completamente de manera periódica (al menos una vez al mes) no sólo la mantiene sincronizada con el VBC, también evita que se produzcan en la misma pérdidas de capacidad sustanciales que limitan su vida útil.

#### 4.1.4 *Parámetros de sincronización*

Basándose en el aumento de la tensión de carga y en la disminución de la corriente de descarga se puede decidir si la batería está completamente cargada o no. Cuando la tensión de la batería está sobre cierto nivel durante un periodo predefinido, mientras la corriente de carga se encuentra por debajo de cierto nivel durante el mismo periodo de tiempo, se considera que la batería está completamente cargada. Estos valores se denominan parámetros de sincronización. En general, para una batería de plomo-ácido de 12 V., la tensión de sincronización es de 13,2 V. y la corriente de sincronización es del 4,0 % de la capacidad total de la batería (es decir, 8 A. en una batería de 200 Ah.). Un tiempo de sincronización de 4 minutos es suficiente para la mayoría de sistemas de baterías. Tenga en cuenta que estos parámetros son muy importantes para un funcionamiento correcto de su VBC, y deben ser correctamente ajustados en el apartado correspondiente del menú.

## 4.2 Parámetros generales

### 4.2.1 ¿Dónde encontrar el menú "Setup monitor" (configurar monitor)?

```
Battery Monitor
12.1V 0.0A 100%
```

Paso 1) Pulse "Enter" para entrar en el menú del VBC.

```
Battery voltage
12.10 V
```

Paso 2) Pulse "▼" para desplazarse por el menú hasta ver "Setup monitor".

```
Setup controller
[Press enter]
```

Paso 3) Pulse "Enter" para entrar en el menú "Setup monitor".

**Nota:** Si no pudiera encontrar el menú "Setup monitor", asegúrese de que su VPN está en el modo "User and Install" (usuario e instalación).

### 4.2.2 Explicación de los parámetros de configuración

"Setup monitor" (configurar menú)				
Nombre	Descripción	Valor por defecto	Rango	Paso de progresión
Battery capacity (capacidad de la batería)	La capacidad de la batería en amperios/hora a un ritmo de descarga del 20%.	200 Ah	20-65535	5
Sync. Voltage (tension de sincron.)	El controlador de baterías considera la batería completamente cargada si la tensión está por encima de este nivel. Este valor deberá ser algo inferior a la tensión de flotación del cargador.	13,2 V	10-72	0.1
Sync. current (corriente de sincron.)	Si el valor de la corriente de carga se encuentra por debajo de este porcentaje de capacidad de la batería, la batería puede considerarse como completamente cargada.	4 %	1-10	1
Sync. Time (tiempo de sincron.)	El tiempo mínimo durante el que los dos parámetros anteriores deben coincidir para considerar la batería como completamente cargada.	4 min	1-4	1

"Setup monitor" (configurar menú)				
Nombre	Descripción	Valor por defecto	Rango	Paso de progresión
Bat. temperature (temp. de la batería)	Si se pierde la conexión con el sensor de temperatura, se utiliza este valor en los cálculos.	20 °C	0-50	1
Resync. to 100%? (¿volver a sincronizar al 100%?)	Vuelve a poner el estado de la carga manualmente a 100%.			
Device name (nombre del dispositivo)	El nombre del controlador de baterías que se utiliza en el VPN.	Monitor de baterías		

Los parámetros del menú avanzado permiten un control más exacto de los cálculos de supervisión de la batería realizados por el VBC. Los valores por defecto son adecuados para la mayoría de sistemas de baterías, por lo que aconsejamos no cambiarlos hasta comprender completamente las consecuencias.

Configuración avanzada				
Nombre	Descripción	Valor por defecto	Rango	Paso de progresión
Charge eff. Fact (factor de eficacia de la carga)	Cuando una batería está cargada, se pierde energía. El factor de eficacia de la carga compensa la energía perdida, donde 1 significa que no hay pérdida de energía y 0,5 significa una pérdida de energía del 50%.	0.9	0.5-1	0.05
Exponente de Peukert	El exponente de Peukert para su batería (consulte el capítulo 4.1.2 para más información). Poner en 1,00 para deshabilitar la compensación de Peukert. Consulte al fabricante de la batería el exponente de Peukert.	1.25	1-1.5	0.01
Temperature coef (coeficiente de temperatura)	Este es el porcentaje de cambio que experimenta la capacidad de la batería por la temperatura.	0.5	0.5-0.95	0.05
Current threshold (umbral actual)	Este valor se considerará como cero amperios, para garantizar la eliminación de errores.	0,1 A	0-5	0.1
Shunt current (corriente del derivador)	El amperaje nominal máximo del derivador.	500 A	5-50000	5
Shunt voltage (tensión del derivador)	Tensión de salida del derivador con máxima potencia de corriente.	50 mV	1-100	1

Configuración avanzada				
Nombre	Descripción	Valor por defecto	Rango	Paso de progresión
Current offset (compensación de corriente)	Utilizado para compensar los pequeños errores en mediciones de corriente causado por pequeñas variaciones en los cables de medición.	0 A	-60000 - 60000	0.01
Battery current (corriente de la batería)	Duplica la lectura actual del menú raíz. Esto permite observar los efectos de los cambios en la compensación de la corriente sin necesidad de recorrer todo el menú.			

### 4.3 Alarmas

El VBC dispone de un relé que puede configurarse para disparar alarmas o, si se conecta a un generador, arrancar y detener dicho generador automáticamente. Las alarmas también pueden enviarse al VPN, que puede configurarse para disparar una alarma, o controlar otro relé. Cada tipo de alarma puede configurarse para activar el relé, enviar una alarma de panel, o ambos. También pueden deshabilitarse completamente.

#### 4.3.1 ¿Dónde encontrar el menú "Setup alarms" (configurar alarmas)

```
Battery Monitor
12.1V 0.0A 100%
```

Paso 1) Pulse "Enter" para entrar en el menú del VBC.

```
Battery voltage
12.10 V
```

Paso 2) Pulse "▼" para desplazarse por el menú hasta ver "Setup alarms".

Setup alarms  
[Press enter]

Paso 3) Pulse “Enter” para entrar en el menú “Setup alarms”.

**Nota:** Si no pudiera encontrar el menú “Setup alarms”, asegúrese de que su VPN está en el modo “User and Install” (usuario e instalación).

#### 4.3.2 Explicación de las opciones de alarma

Setup alarms (configurar alarmas)				
Nombre	Descripción	Valor por defecto	Rango	Paso de progresión
Low voltage (tensión baja)	El nivel por debajo del cual se disparará una alarma por tensión baja.	10,5 V	10-72	0.1
Low voltage clr (fin de tensión baja)	El nivel por encima del cual se anulará una alarma por tensión baja.	10,5 V	10-72	0.1
Low volt action (acción por tensión baja)	El tipo de acción que se tomará cuando una alarma por tensión baja se active.	Ninguna	Ninguna, Relé, Panel, Ambas	
High voltaje (Tensión alta).	El nivel por encima del cual se disparará una alarma por tensión alta.	16 V	10-72	0.1
High voltage clr (fin de tensión alta)	El nivel por debajo del cual se anulará una alarma por tensión alta.	16 V	10-72	0.1
High volt action (acción por tensión alta)	El tipo de acción que se tomará cuando una alarma por tensión alta se active.	Ninguna	Ninguna, Relé, Panel, Ambas	
Low SOC (SOC bajo)	El nivel por debajo del cual se disparará una alarma por estado de la carga bajo.	80 %	0-100	1
Low SOC clr (fin de SOC bajo)	El nivel por encima del cual se anulará una alarma por estado de la carga bajo.	80 %	0-100	1
Low SOC action (acción por SOC bajo)	El tipo de acción que se tomará cuando una alarma por estado de carga bajo se active.	Ninguna	Ninguna, Relé, Panel, Ambas	
Low current (corriente baja)	El nivel por debajo del cual se disparará una alarma por corriente baja.	-100 A	-30000 - 0	5



EN

NL

FR

DE

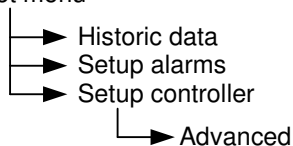
ES

SE

Setup alarms (configurar alarmas)				
Nombre	Descripción	Valor por defecto	Rango	Paso de progresión
Low current clr. (fin de corriente baja)	El nivel por encima del cual se anulará una alarma por corriente baja.	-90 A	-30000 – 0	5
Low current action (acción por corriente baja)	El tipo de acción que se tomará cuando una alarma por corriente baja se active.	Ninguna	Ninguna, Relé, Panel, Ambas	
High current (corriente alta)	El nivel por encima del cual se disparará una alarma por corriente alta.	100	0 – 30000	5
High current clr (fin de corriente alta)	El nivel por debajo del cual se anulará una alarma por corriente alta.	90	0 – 30000	5
High cur. Action (acción por corriente alta)	El tipo de acción que se tomará cuando una alarma por corriente alta se active.	Ninguna	Ninguna, Relé, Panel, Ambas	
Enable delay (habilitar demora)	La cantidad de tiempo que debe permanecer una condición de alarma para disparar la alarma.	0 s	0 – 255	1
Disable delay (deshabilitar demora)	La cantidad de tiempo que debe permanecer una anulación de condición de alarma para deshabilitar la alarma.	0 s	0 – 255	1
Min. enable time (tiempo mín. de activación)	La cantidad de tiempo mínima que el relé puede permanecer cerrado una vez ocurrida una condición de alarma.	0 min	0 – 255	1

#### 4.4 Resumen de la estructura del menú

Root menu



## 5 INFORMACIÓN TÉCNICA

Tensión de alimentación	9 ... 70 VCC
Corriente de alimentación	
relé inactivo	<5 mA
relé activo	<20 mA
Temperatura de funcionamiento	0 ... 50 °C
Contacto de la alarma	
potencialmente libre	
Modo	Normalmente abierto
Capacidad	30 V./3 A. máx.
Dimensiones	75 x 110 x 23 mm.
Peso neto	95 g.
Material:	
Cuerpo	ABS

## 6 NOTAS

EN

NL

FR

DE

ES

SE



# 1 INTRODUKTION

Victron Energy har skapat sig ett internationellt rykte som en ledande utvecklare och tillverkare av energisystem. Vår R&D-avdelning är den drivande kraften bakom detta rykte. De söker kontinuerligt efter nya sätt att inkorporera den senaste tekniken i våra produkter. Varje steg framåt resulterar i tekniska och ekonomiska förbättringar.

## 1.1 Introduktion till VE.Net

VE.Net står för Victron Energy Network. Det gör det möjligt för VE.Net-kompatibla enheter att kommunicera med varandra. Detta innebär att laddaren exempelvis kan hämta information från batterikontrollenheten för att optimera laddningsspänningen. Det är möjligt att styra och övervaka alla dina VE.Net-enheter från en enskild VE.Net-kompatibel kontrollpanel. Detta sparar utrymme och gör det möjligt för dig att styra alla dina enheter från en plats. Det är dock inte nödvändigt att vara begränsad till en enda panel. Flera paneler kan användas på nätverket, vilket tillhandahåller fullständig styr- och övervakningskontroll för alla enheter från flera olika platser.

## 1.2 VE.Net Battery Controller

VE.Net Battery Controller (VBC) är en apparat som övervakar din batteristatus. Den mäter kontinuerlig batterispänningen, batteriströmmen och batteritemperaturen och använder denna information för att beräkna laddningsstatusen för ditt batteri. Denna information kan visas på en VE.Net Panel (VPN) eller VE.Net Blue Power Panel (BPP). När den används tillsammans med en Blue Power Panel, kan VBC användas för att tillhandahålla en grafisk överblick över ditt batterisystem.

## 1.3 Varför bör du övervaka dina batterier?

Livslängden för batterier är beroende av många faktorer. Om batterierna och laddningsprocessen övervakas, kan du förhindra att dina batterier under- eller överladdas eller laddas ur för djupt. En batterikontrollenhet varnar dig om något är fel med laddningsspänningen eller batteriernas allmänna tillstånd.

## **1.4 Hur fungerar VE.Net Battery Controller?**

Ett batteris kapacitet anges i amperetimmar (Ah). Till exempel, ett batteri som kan leverera en spänning på 5 Ampere under en period av 20 timmar har en kapacitet på 100Ah ( $5 * 20 = 100$ ). VBC mäter kontinuerligt nätströmsflödet till eller från batteriet. På så sätt kan det beräkna mängden energi som avlägsnas från eller tillförs batteriet. Men eftersom både batteriålder, urladdningsström och temperatur påverkar batteriets kapacitet; kan du inte bara förlita dig på avläsningen för amperetimmar. När samma 100 Ah-batteri laddas ur fullständigt på två timmar, kan det hända att det bara ger dig 56 Ah (på grund av en högre urladdningshastighet).

Som du kan se, har batteriets kapacitet nästan halverats. Detta fenomen kallas för Peukert-effekten (se kapitel 4.1.2). Dessutom, när batteritemperaturen är låg, minskas kapaciteten ännu mer. Det är därför som enkla amperetimräknare eller spänningsmätare inte kan ge dig en tillförlitlig indikering på laddningsnivån.

VBC kan visa både de amperetimmar som har avlägsnats (ej kompenserade) och den faktiska laddningsstatusen (kompenserad med Peukert-effekt och laddningseffektivitet). Att läsa av laddningsstatusen är det bästa sättet att läsa av ditt batteri. Denna parameter anges i procent, där 100 % representerar ett fullständigt laddat batteri och 0% ett fullständigt urladdat batteri. Du kan jämföra detta med en bränslemätare i en bil.

VBC gör också en uppskattning av hur länge batteriet kan upprätthålla rådande förbrukning (resterande tidavläsning). Detta är den återstående tiden innan batteriet måste laddas upp igen (50 % laddningsnivå). Att ladda ur ett batteri under 50 % reducerar batteriets livstid avsevärt. Om batteriladdningen fluktuerar starkt är det bäst att inte förlita sig på denna avläsning alltför mycket eftersom det är en tillfällig avläsning och endast bör användas som en riktlinje. Vi rekommenderar alltid att använda avläsningen för laddningsstatus för precis batteriövervakning.

## 2 INSTALLATION AV DIN BATTERIKONTROLLENHET

### 2.1 Säkerhetsanvisningar!

1. Att arbeta i närheten av blybatterier är farligt. Batterierna kan avge explosiva gaser under användning. Rök aldrig eller tillåt gnistor eller flammor i närheten av ett batteri. Se till att det finns tillräckligt god ventilation runt batteriet.

2. Använd ögonskydd och skyddskläder. Undvik att vidröra ögonen när du arbetar nära batterier. Tvätta händerna när du är färdig.

3. Om batterisyra kommer i kontakt med hud eller kläder, tvätta omedelbart med tvål och vatten. Om man får syra i ögonen, skölj omedelbart ögat med rinnande kallt vatten under minst 15 minuter och sök läkarhjälp omedelbart.

4. Var försiktig när du använder metallverktyg i närheten av batterier. Att tappa ett metallverktyg på ett batteri kan orsaka en kortslutning och det finns risk för en explosion.

5. Avlägsna personliga metallföremål som ringar, armband, halsband och armbandsur när du arbetar med ett batteri. Ett batteri kan alstra kortslutningsström som är tillräckligt hög för att smälta sådana föremål, vilket kan orsaka allvarliga brännskador.

**OBS:** Alla instruktioner som gäller VPN gäller även BPP, såvida inget annat anges.

För att installera din VBC behöver du:

1. En shunt. Standardshunten är 500 A / 50 mV, men valfri shunt med en strömkapacitet på upp till 100 mV kan användas.
2. Medföljande flexibel anslutningskabel (dubbel) av standardtyp AWG21/0,4 mm<sup>2</sup> (för shunten).
3. Medföljande flexibel anslutningskabel (dubbel) AWG21/0,4 mm<sup>2</sup> med inbyggd säkringshållare och en 1 A långsam säkring (för ström).
4. Medföljande temperatursensor av standardtyp.
5. Cat5-kabel med två RJ45-kopplingar (för att ansluta en VE.Net Panel eller annan VE.Net-enhet (medföljer ej)).

EN

NL

FR

DE

ES

SE

## **2.2 Montering**

VBC kan monteras på en DIN-skena av standardtyp. För att säkerställa bästa möjliga avläsning, rekommenderar vi att du använder de medföljande standardkablarna och placerar kontrollenheten så nära batterierna som möjligt.

Under längre perioder av hög strömförbrukning, kommer shunten att bli varm. Det rekommenderas därför att shunten monteras med bladen riktade vertikalt för att möjliggöra optimalt luftflöde.

## **2.3 Kablar och byglar**

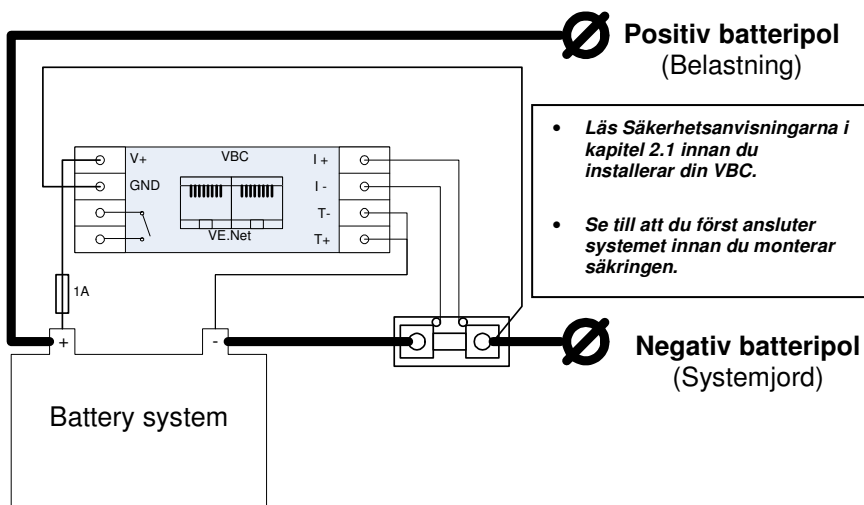
Anslut först kablarna i enlighet med vad som visas i figure 1 above nedan, utan säkringen. De tjocka linjerna representerar huvudkablarna för nätström, dessa bör vara av en typ som klarar hög belastning. Efter installationen och när man har inspekterat alla anslutningar, montera säkringen för att strömförsörja batterikontrollenheten.

Anslut batterikontrollenheten till en VE.Net Panel (VPN) eller en annan VE.Net-enhet via en vanlig Cat5-kabel av standardtyp. Den totala längden för Cat5-kablar som används i ett VE.Net-nätverk bör inte överstiga 100 m.

**OBS:** Shunten och temperatursensorn bör vara de enda kablarna som ansluts till den negativa batteripolen. De negativa anslutningarna för alla andra enheter (inklusive laddare) måste göras på shuntens belastningssida (systemjord). Om enheter ansluts direkt till batteriets negativa pol kommer inte VBC:n att kunna mäta deras spänningsflöde och kommer att visa missvisande avläsningar.

**OBS:** Anslut inte några andra kablar till shuntens mätutgång, eftersom detta kommer att leda till missvisande avläsningar.

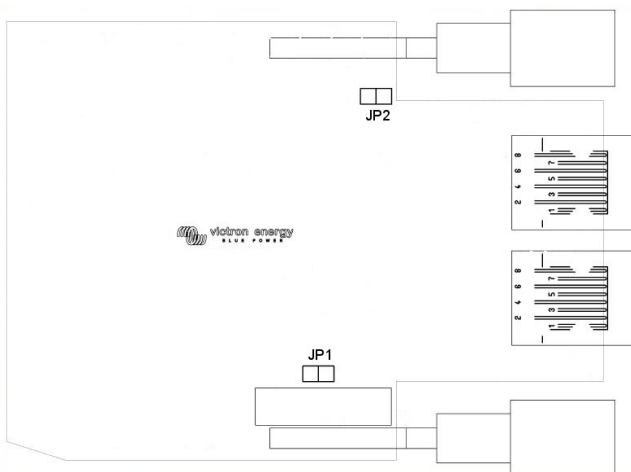




Figur 9

VBC är kapabel att försörja andra VE.Net-enheter med ström via nätverket. Om en annan enhet ska försörja VE.Net med ström istället, avlägsna byglarna JP1 och JP2 i enlighet med figure 2.

Figur 10



EN

NL

FR

DE

ES

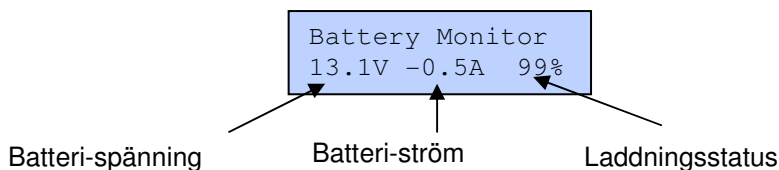
SE

### 3 ATT ANVÄNDA DIN BATTERIKONTROLLENHET

All kontroll av VBC tillhandahålls via VPN. För att växla till VPN, tryck ner en av knapparna tills VPN piper. När VPN har avslutat sin startprocedur, kommer enhetslistan att visas. Om det finns andra anslutna VE.Net-enheter, kan det vara nödvändigt att trycka på "▼" tills Batterikontrollenheten visas. För ytterligare information angående användning av VPN, se bruksanvisningen för VPN.

#### 3.1 Snabbstatusrad

I rotmenyn för VPN kommer du att se denna skärmbild, som består av namnet på VBC och "snabbstatus"-raden.



#### 5. Anmärkningar:

9. Du kan alltid återgå till denna position genom att trycka på "Cancel" (Avbryt) flera gånger.
10. Laddningsstatusen visas endast när VBC:n är synkroniserad (se kapitel 4.1.3 för ytterligare information).

#### 3.2 Huvudmenyn

För att visa mera detaljerad information, tryck på knappen "Enter" för att öppna VBC-menyn.

Namn	Beskrivning	Enheter
Battery voltage (Batteri-spänning)	Visar batterispänningen.	Volt.
Battery current (Batteri-ström)	Visar DC-strömmen som flödar in eller ut ur batteriet.	Ampere.
Consumed Ah (Förbrukade Ah)	Visar den energi som har förbrukats sedan batteriet senast var fulladdat.	Ampere-timmar.

Namn	Beskrivning	Enheter
State of charge (Laddningsstatus)	Laddningsstatusen anger i procent hur mycket batterikapacitet som fortfarande är tillgängligt för förbrukning. Ett fullt batteri kommer att visa 100 % och ett tomt batteri kommer att visa 0 %. Detta är det bästa sättet för att se när batterierna behöver laddas upp på nytt.	Procent.
Time to go (Återstående tid)	Visar beräknad återstående tid, baserat på aktuell belastning, innan batteriet måste laddas upp på nytt.	Timmar och minuter.
Bat. Temperature (Batteritemperatur)	Visar batteritemperaturen.	Grader Celsius.
Software version (Mjukvaruversion)	Mjukvaruversionen för denna enhet.	

### 3.3 Historikdata

VBC:n kommer att memorera historikdata för att göra det möjligt för dig att få mera information om statusen och tidigare användning av batterierna.

#### 3.3.1 Var man återfinner menyn "Historical data" (Historikdata)

```
Battery Monitor
13.1V -0.5A 99%
```

Steg 1) Tryck på "Enter" för att öppna VBC-menyn.

```
Battery voltage
13.10 V
```

Steg 2) Tryck på "▼" för att bläddra genom menyn tills du ser 'Historic Data' (Historikdata).

EN

NL

FR

DE

ES

SE

Historic data  
[Press enter]

Steg 3) Tryck på "Enter" för att öppna menyn  
Historikdata

### 3.3.2 Förklaring av historikdata

Historikdata		
Namn	Beskrivning	Enhet
Deepest discharge (Djupaste urladdn)	Den djupaste urladdningen i Ah.	Ampere-timmar.
Depth last disch (Djup för senaste urladdning)	Djupet för den senaste urladdningen i Ah. Detta värde kommer att nollställas när Laddningsstatusen når 100 % igen.	Ampere-timmar.
Average discharge (Genomsnittlig urladdning)	Den genomsnittliga urladdningen för alla registrerade cykler	Ampere-timmar.
Number of cycles (Antal cykler)	Varje gång som batteriet laddas ur till under 65 % av dess nominella kapacitet och laddas upp till minst 90 % räknas som en cykel.	
Full discharges (Fullständiga urladdningar)	Antalet gånger som batteriet har laddats ur till 0 % laddningsstatus.	
Cumulative Ah (Kumulativ Ah)	Registrerar den totala energiförbrukningen över alla cykler.	Ampere-timmar.
Last full charge (Senaste fullständiga laddning)	Tiden som har förflutit sedan batteriet var fulladdat senast.	Dagar.
Maximum voltage (Max spänning)	Max uppmätt spänning. Kan användas för att söka efter felande laddare och omformare.	Volt.
Minimum voltage (Lägsta spänning)	Lägsta uppmätta spänning. Kan användas för att kontrollera om batterierna har laddats ur för mycket.	Volt.

## 4 SETUP (INSTÄLLNINGAR)

### 4.1 Bakgrundsinformation

#### 4.1.1 Laddningsverkningsgrad

Under batteriladdning är inte all energi som överförs till batteriet tillgänglig när batteriet laddas ur. Laddningsverkningsgraden för ett helt nytt batteri är cirka 90 %. Detta betyder att 10 Ah måste överföras till batteriet för att få 9 Ah som verkligen är lagrade i batteriet. Laddningsverkningsgraden för batteriet kommer att minska allteftersom batteriet åldras.

#### 4.1.2 Peukerts exponent

Som nämndes tidigare i kapitel 1.4, beskriver Peukerts exponent hur batteriets Ah-kapacitet minskar när du laddar ur det snabbare än med 20-timmars hastighet. Den reducerade batterikapacitetsmängden kallas för 'Peukert-exponenten' och kan justeras från 1,00 till 1,50. Ju högre Peukert-exponent, desto snabbare krymper batteristorleken med ökande urladdningshastighet. Ett idealiskt (teoretiskt) batteri har en Peukert-exponent på 1,00 och har en fast kapacitet; oavsett storleken på urladdningsströmmen. Givetvis finns det inga sådana batterier och en inställning på 1,00 för VBC implementeras endast för att förbigå Peukert-kompensation. Standardinställningen för Peukert-exponenten är 1,25 och det är ett acceptabelt medelvärde för de flesta typer av blybatterier. Dock är det av fundamental betydelse att ange rätt Peukert-exponent för tillförlitlig batteriövervakning. Om Peukert-exponenten inte tillhandahålls för ditt batteri, kan du beräkna den genom att använda annan information som bör medfölja ditt batteri.

Peukert-ekvationen anges nedan:

$$C_p = I^n \cdot t \quad \text{där Peukert-exponenten, } n = \frac{\log t_2 - \log t_1}{\log I_1 - \log I_2}$$

Batterispecifikationerna som behövs för beräkning av Peukert-exponenten, är den nominella batterikapaciteten (vanligen 20-timmars urladdningshastighet<sup>11</sup>) och exempelvis en 5-timmars

<sup>11</sup> Var vänlig notera att den nominella batterikapaciteten även kan definieras som 10-timmars eller till och med 5-timmars urladdningshastighet.

urladdningshastighet<sup>12</sup>. Se nedan för ett exempel på hur man kan definiera Peukert-exponenten med hjälp av dessa två specifikationer.

5-timmars-specifiering

$$C_{5hr} = 75 Ah$$

$$t_1 = 5hr$$

$$I_1 = \frac{75 Ah}{5hr} = 15 A$$

20-timmars-specifiering

$$C_{20hr} = 100 Ah \text{ (rated capacity)}$$

$$t_2 = 20hr$$

$$I_2 = \frac{100 Ah}{20hr} = 5 A$$

$$\text{Peukert exponent, } n = \frac{\log 20 - \log 5}{\log 15 - \log 5} = 1.26$$

När ingen information ges överhuvudtaget, kan du mäta ditt batteri med hjälp av en konstant laddningsbank. På detta sätt kan en andra kapacitet bestämmas, tillsammans med den uppgivna kapaciteten på 20 h som representerar batterikapaciteten i de flesta fall. Denna andra kapacitet kan bestämmas genom att ladda ur ett fullständigt uppladdat batteri med en konstant ström; tills batteriet når 1,75 V per cell (vilket innebär 10,5 V för ett 12 V-batteri eller 21 V för ett 24 V-batteri). Ett exempel på en beräkning visas nedan:

Ett 200 Ah-batteri laddas ur med en konstant ström på 20 A och efter 8,5 timmar uppnås 1,75 V/cell.

Så,

$$t_1 = 8.5hr$$
$$I_1 = 20A$$

20-timmars-specifiering

$$C_{20hr} = 200 Ah$$

$$t_2 = 20hr$$

$$I_2 = \frac{200 Ah}{20hr} = 10 A$$

---

<sup>12</sup> Urladdningshastigheten på 5-timmar i detta exempel är godtycklig. Se till att du förutom  $C_{20}$ -kapaciteten (låg urladdningsspänning) väljer en andra kapacitet med en betydligt högre urladdningsspänning.

$$\text{Peukert exponent, } n = \frac{\log 20 - \log 8.5}{\log 20 - \log 10} = 1.23$$

En Peukert-simulator är tillgänglig på [www.victronenergy.com](http://www.victronenergy.com).

#### 4.1.3 *Synkronisering av batterikontrollenheten*

För en pålitlig angivelse av laddningstillståndet för ditt batteri, måste batterikontrollenheten synkroniseras regelbundet med batteriet och laddaren. Detta uppnås genom att ladda upp batteriet helt. När laddaren arbetar i 'float'-stadiet, anser laddaren att batteriet är fulladdat. Vid denna tidpunkt måste även VBC avgöra att batteriet är fulladdat. Nu kan amperetimeträknaren nollställas och laddningsstatusavläsningen kan ställas in på 100 %.

### **6. När spänningstillförseln till din VBC har avbrutits, måste batterikontrollenheten synkroniseras om innan den kan fungera korrekt.**

Notera vänligen att om du regelbundet laddar upp ditt batteri helt (minst en gång i månaden), förblir det inte bara synkroniserat med din VBC, utan det förhindrar även betydande kapacitetsförlust för ditt batteri, vilket begränsar dess livstid.

#### 4.1.4 *Synkroniseringsparametrar*

Baserat på ökande laddningsspänning och minskande laddningsström, kan man besluta huruvida batteriet är fulladdat eller inte. När batterispänningen är ovanför en viss nivå under en förhandsbestämd period medan laddningsströmmen är under en viss nivå under samma period, kan batteriet anses som fulladdat. Dessa värden kallas för synkroniseringsparametrar. För ett blybatteri på 12 V är i allmänhet synkroniseringsspänningen 13,2 V och synkroniseringsströmmen är 4,0% av den totala batterikapaciteten (t.ex. 8 A för ett 200 Ah-batteri). En synkroniseringstid på 4 minuter är tillräcklig för de flesta batterisystem. Var vänlig notera att dessa parametrar är mycket viktiga för korrekt funktion för din VBC och måste ställas in på lämpligt sätt i motsvarande menyalternativ.

EN

NL

FR

DE

ES

SE

## 4.2 Allmänna inställningar

### 4.2.1 Var man återfinner menyn "Setup monitor" (Inställning av kontrollenhet)

```
Battery Monitor  
12.1V 0.0A 100%
```

Steg 1) Tryck på "Enter" för att öppna VBC-menyn.

```
Battery voltage  
12.10 V
```

Steg 2) Tryck på "▼" för att bläddra genom menyn tills du ser 'Setup monitor' (Inställning av kontrollenhet).

```
Setup controller  
[Press enter]
```

Steg 3) Tryck på "Enter" för att öppna menyn "Setup monitor".

**OBS:** Om du inte kan hitta menyn "Setup monitor" (Inställning av kontrollenhet), se till att din VPN är inställd på läget "user and install" (användare och installation).

### 4.2.2 Förklaring av inställningsparametrar

Setup monitor (Inställning av kontrollenhet)				
Namn	Beskrivning	Standar dvärde	Interv all	St e g s t o r l e k
Battery capacity (Batterikapacitet)	Batterikapacitet i amperetimmar (Ah) vid en urladdningshastighet på 20 timmar.	200 Ah	20- 65535	5
Sync. Voltage (Synk. Spänning)	Batterikontrollenheten anser batteriet som fulladdat om spänningen är högre än denna nivå. Detta bör ställas in något lägre än laddarens float-spänning.	13,2 V	10-72	0,1
Sync. Current (Synk. Ström)	Om laddningsströmmen är under denna procentsats för batterikapaciteten, kan batteriet anses som fulladdat.	4 %	1-10	1
Sync. Time (Synk. Tid)	Minimitiden som ovanstående två parametrar måste uppfyllas för att batteriet ska anses som fulladdat.	4 min	1-4	1



Setup monitor (Inställning av kontrollenhet)				
Namn	Beskrivning	Standardvärde	Intervall	Stegstorlek
Bat. Temperature (Batteritemperatur)	Om anslutningen till temperatursensorn förloras, används detta värde i beräkningarna.	20 °C	0-50	1
Resync. to 100%? (Omsynk. till 100%?)	Återställer laddningsstatusen manuellt till 100%.			
Device name (Enhetsnamn)	Namnet på batterikontrollenheten som används av VPN.	Batteri-kontroll-enhet		

Inställningarna i den avancerade menyn tillåter fininställning av batteriövervakningsberäkningarna som utförs av VBC:n. Standardvärdena är lämpliga för de flesta batterisystem, så justera inte dessa inställningar om du inte förstår konsekvenserna till fullo.

Avancerade inställningar				
Namn	Beskrivning	Standardvärde	Intervall	Stegstorlek
Charge eff. Fact (Reell laddnings-effektivitet)	När ett batteri laddas, går en del energi förlorad. Laddningseffektivitetsfaktorn kompenserar för den förlorade energin, där 1 innebär ingen energiförlust och 0,5 är en 50 % energiförlust.	0,9	0,5-1	0,05
Peukert-exponent	Peukert-exponenten för ditt batteri (se kapitel 4.1.2 för ytterligare information). Ställ in till 1,00 för att inaktivera Peukert-kompensationen. Kontakta din batteritillverkare för Peukert-exponenten.	1,25	1-1,5	0,01
Temperature coef (Temperatur-koefficient)	Detta är procentsatsen som batterikapaciteten förändras med temperaturen.	0,5	0,5-0,95	0,05
Current threshold (Strömtröskel)	Detta värde kommer att anses vara noll ampere, för att säkerställa att fel elimineras.	0,1 A	0-5	0,1
Shunt current (Shuntström)	Maximal strömkapacitet för shunten.	500 A	5-50000	5
Shunt voltage (Shunt-spänning)	Utgångsspänning för shunten vid maximal strömkapacitet.	50 mV	1-100	1
Current offset (Ström-offset)	Används för att kompensera för små avvikelser i strömmätningar som orsakas av oönskade offsets som plockas upp av mätningssablarna.	0 A	-60000 - 60000	0,01

Avancerade inställningar				
Namn	Beskrivning	Standardvärde	Intervall	Stegstorlek
Battery current (Batterispänning)	Dubblerar strömvälningen från toppmenyn. Detta gör det möjligt att observera effekterna av förändringar för strömoftet utan att man måste förflytta sig i menyhierarkin.			

### 4.3 Larm

VBC:n är utrustad med ett relä som kan konfigureras för att signalera larm, eller automatiskt starta och stoppa generatoren när den är ansluten till en generator. Larm kan även skickas till VPN, som kan konfigureras till att avge ett larm, eller kontrollera ett annat relä. Varje larmtyp kan konfigureras till att aktivera reläet, skicka ett panellarm, eller båda. De kan även inaktiveras fullständigt.

#### 4.3.1 Var man återfinner menyn "Setup alarms" (Inställning av larm)

```
Battery Monitor
12.1V 0.0A 100%
```

Steg 1) Tryck på "Enter" för att öppna VBC-menyn.

```
Battery voltage
12.10 V
```

Steg 2) Tryck på "▼" för att bläddra genom menyn tills du ser "

Steg 3) Tryck på "Enter" för att öppna menyn "Setup alarms" (Inställning av larm).

```
Setup alarms
[Press enter]
```

**OBS:** Om du inte kan hitta menyn "Setup alarms" (Inställning av larm), se till att din VPN är inställd på läget "user and install" (användare och installation).

#### 4.3.2 Förklaring av larmalternativ

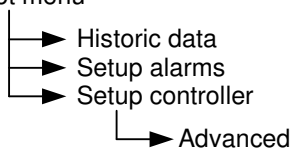
Setup alarms (Inställning av larm)				
Namn	Beskrivning	Standardvärde	Intervall	Stegstorlek
Low voltage (Låg spänning)	Nivån under vilken ett larm för låg spänning kommer att aktiveras.	10,5 V	10-72	0,1
Low voltage clr (Låg spänning avbryt)	Nivån över vilken ett larm för låg spänning kommer att avbrytas.	10,5 V	10-72	0,1
Low volt action (Låg spänning åtgärd)	Typ av åtgärd som ska vidtas när ett larm för låg spänning är aktivt.	Inget	None, Relay, Panel, Both (Ingen, Relä, Panel, Båda)	
High voltage (Hög spänning)	Nivån över vilken ett larm för hög spänning kommer att aktiveras.	16 V	10-72	0,1
High voltage clr (Hög spänning avbryt)	Nivån under vilken ett larm för hög spänning kommer att avbrytas.	16 V	10-72	0,1

Setup alarms (Inställning av larm)				
Namn	Beskrivning	Standarvärde	Intervall	Stegstorlek
High volt action (Hög spänning åtgärd)	Typ av åtgärd som ska vidtas när ett larm för hög spänning är aktivt.	Inget	None, Relay, Panel, Both (Ingen, Relä, Panel, Båda)	
Low SOC (Låg laddningsstatus)	Nivån under vilken ett larm för låg laddningsstatus kommer att aktiveras.	80 %	0-100	1
Low SOC clr (Låg laddningsstatus avbryt)	Nivån över vilken ett larm för låg laddningsstatus kommer att avbrytas.	80 %	0-100	1
Low SOC action (Låg laddningsstatus åtgärd)	Typ av åtgärd som ska vidtas när ett larm för låg spänningsstatus är aktivt.	Inget	None, Relay, Panel, Both (Ingen, Relä, Panel, Båda)	
Low current (Låg ström)	Nivån under vilken ett larm för låg ström kommer att aktiveras.	-100 A	-30000 – 0	5
Low current clr. (Låg ström avbryt)	Nivån över vilken ett larm för låg ström kommer att avbrytas.	-90 A	-30000 – 0	5
Low current action (Låg ström åtgärd)	Typ av åtgärd som ska vidtas när ett larm för låg ström är aktivt.	Inget	None, Relay, Panel, Both (Ingen, Relä, Panel, Båda)	
High current (Hög ström)	Nivån över vilken ett larm för hög ström kommer att aktiveras.	100	0 – 30000	5
High current clr (Hög ström avbryt)	Nivån under vilken ett larm för hög ström kommer att avbrytas.	90	0 – 30000	5
High cur. action (Hög ström åtgärd)	Typ av åtgärd som ska vidtas när ett larm för hög ström är aktivt.	Inget	None, Relay, Panel, Both (Ingen, Relä, Panel, Båda)	

Setup alarms (Inställning av larm)				
Namn	Beskrivning	Standardvärde	Intervall	Stegstorlek
Enable delay (Aktivera fördröjning)	Tidsintervall som ett larmtillstånd måste föreligga för att aktivera larmet.	0 s	0 – 255	1
Disable delay (Inaktivera fördröjning)	Tidsintervall som ett avslutat larmtillstånd måste förekomma för att inaktivera larmet.	0 s	0 – 255	1
Min. enable time (Minsta tid för aktivering)	Minsta tidsintervall som reläet kan förbli stängt när ett larmtillstånd har inträffat.	0 min	0 – 255	1

#### 4.4 Överblick av menystrukturen

Root menu



## 5 TEKNISKA DATA

Nätspänningsintervall	9 ... 70 VDC
Strömförsörjning	
relä inaktivt	<5 mA
relä aktivt	<20 mA
Arbetstemperaturintervall	0 ... 50 °C
Spänningsfri larmkontakt:	
Läge	Normalt öppen
Kapacitet	30 V/3 A max.
Dimensioner	75 x 110 x 23 mm
Nettovikt	95 g
Material:	
Kropp	ABS

## 6 ANMÄRKNINGAR

EN

NL

FR

DE

ES

SE







# Victron Energy Blue Power

Distributor:

Serial number:

Version : 08  
Date : 01 March 2010

Victron Energy B.V.  
De Paal 35 | 1351 JG Almere  
PO Box 50016 | 1305 AA Almere | The Netherlands

General phone : +31 (0)36 535 97 00  
Customer support desk : +31 (0)36 535 97 03  
Fax : +31 (0)36 535 97 40

E-mail : [sales@victronenergy.com](mailto:sales@victronenergy.com)

[www.victronenergy.com](http://www.victronenergy.com)