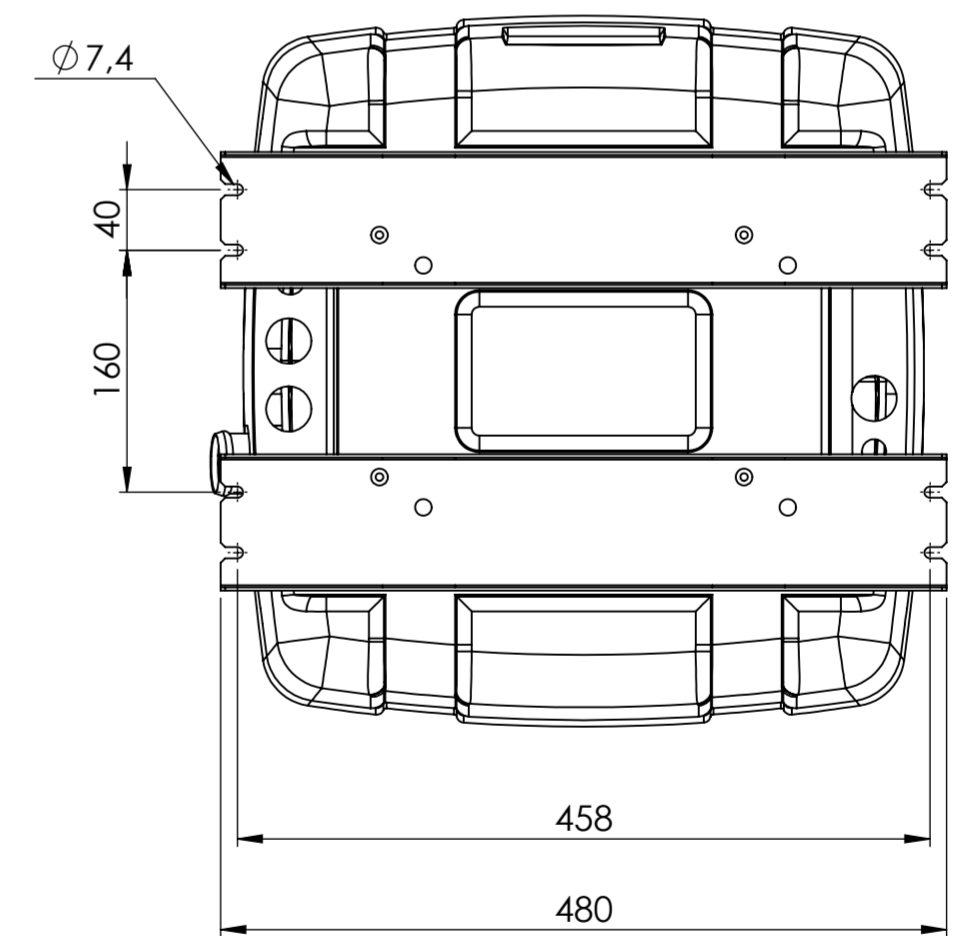
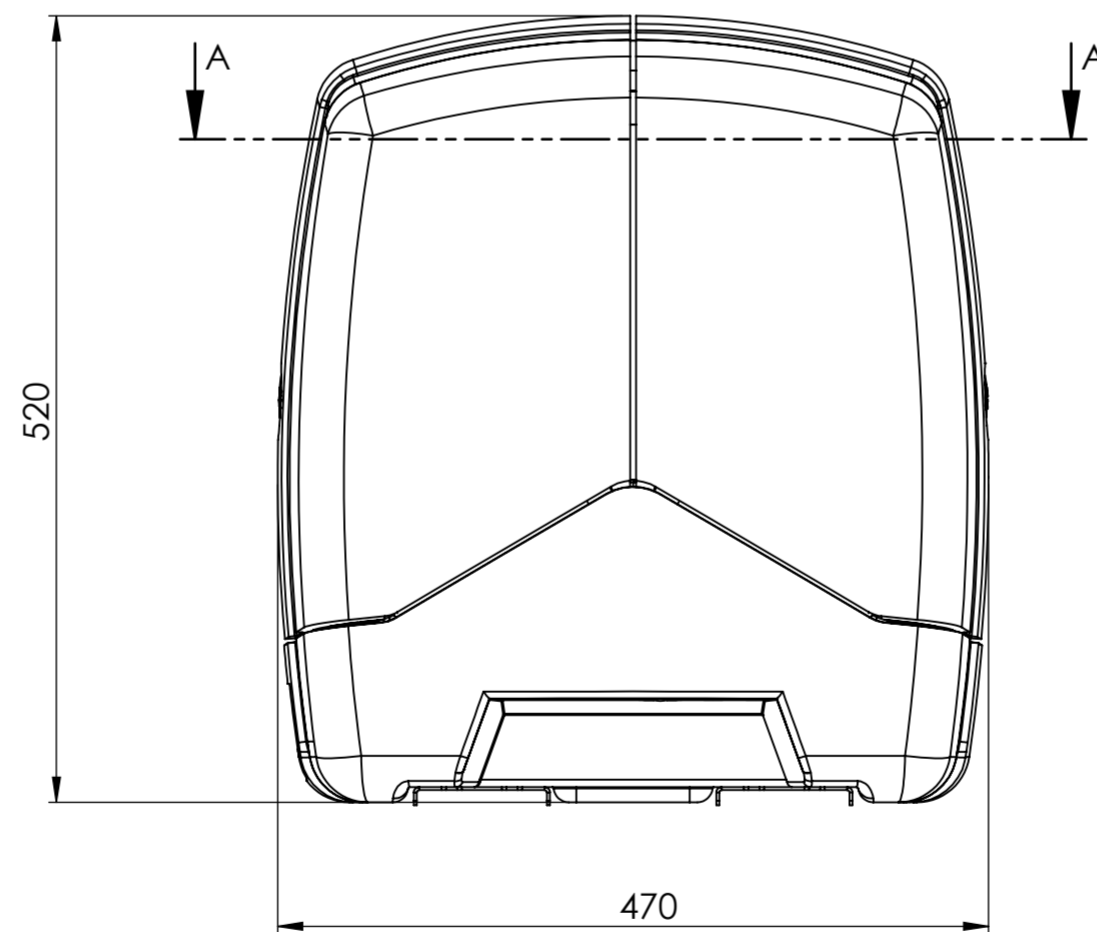
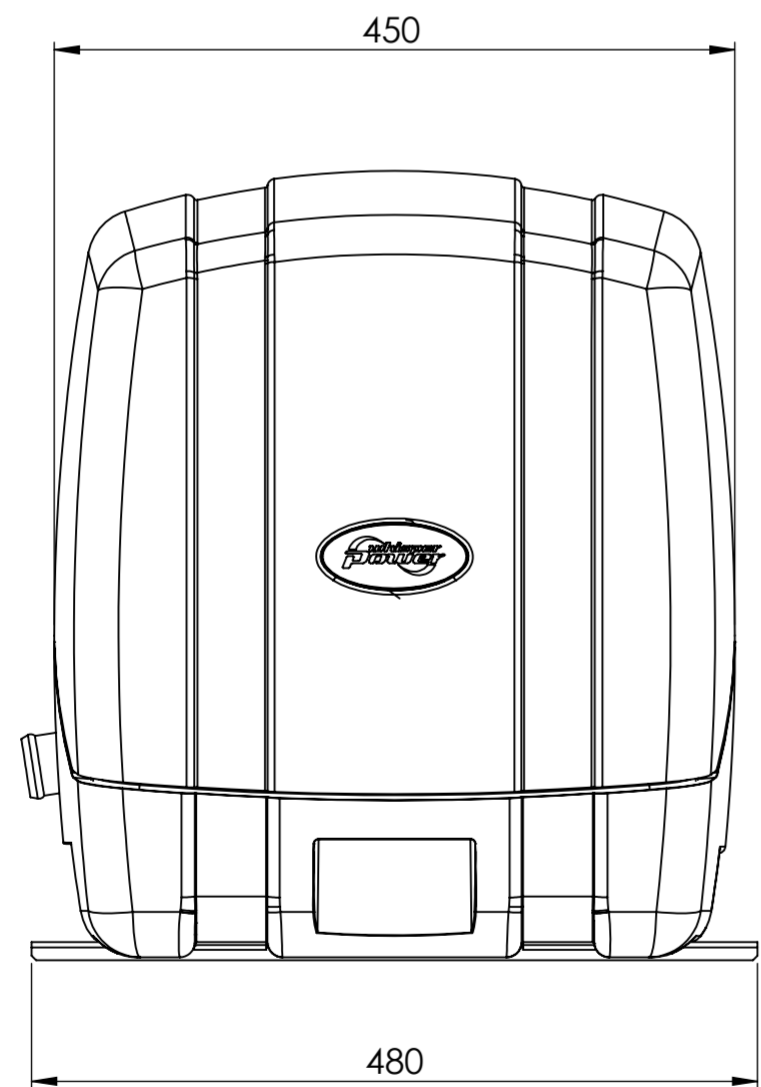
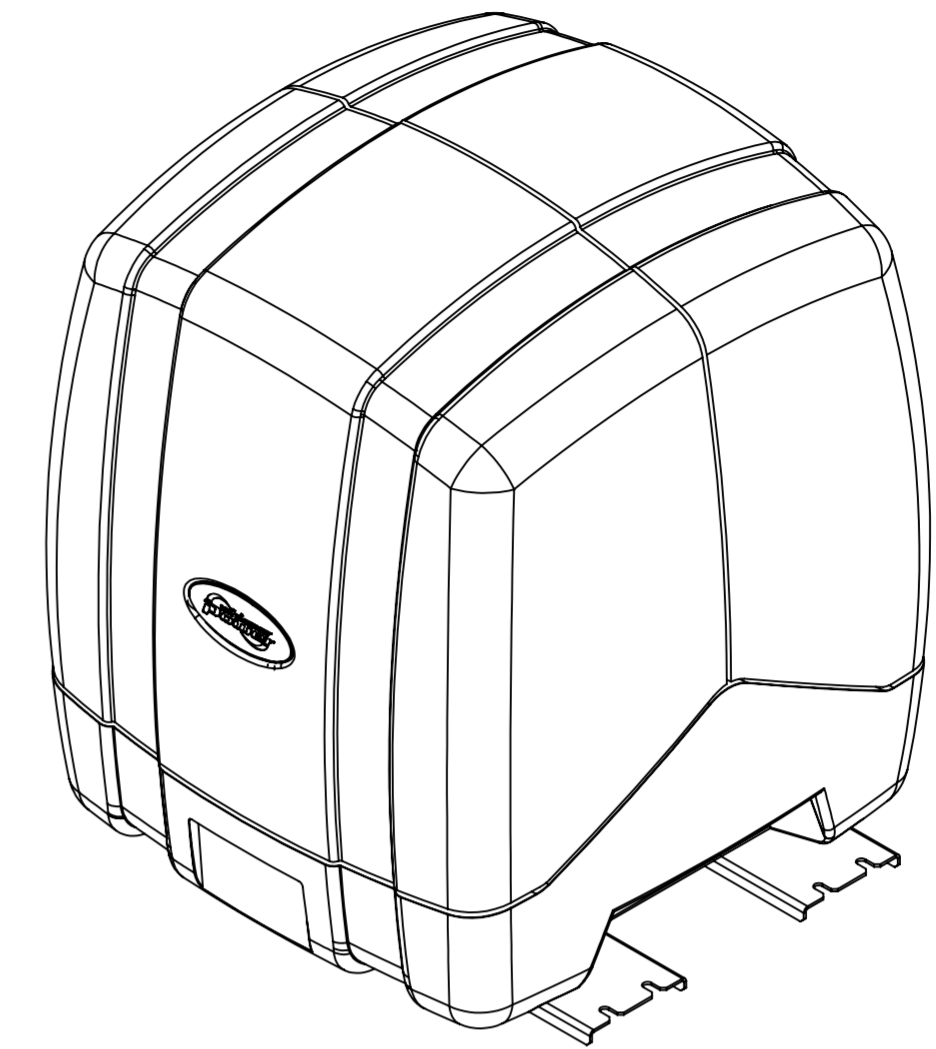

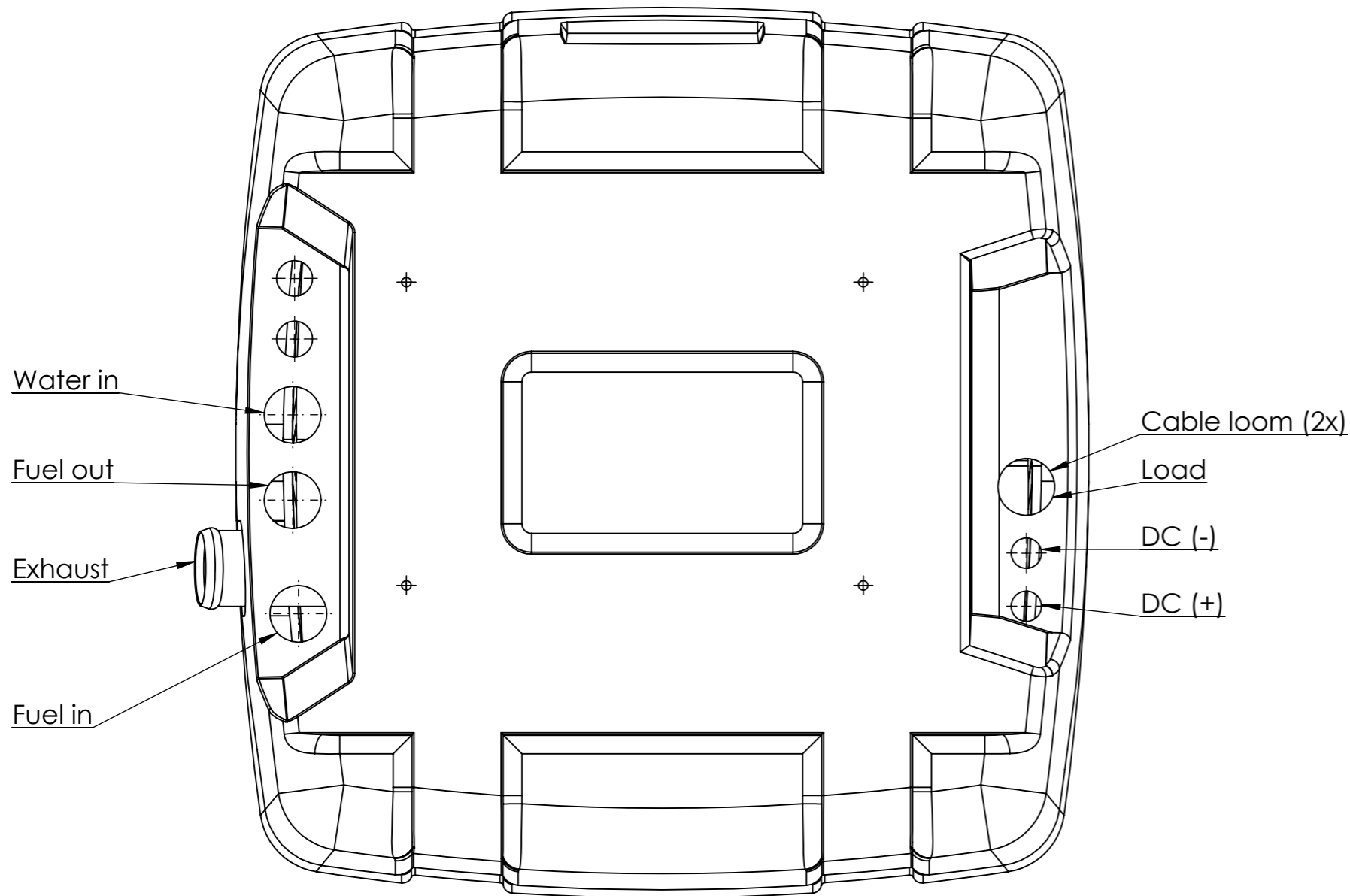

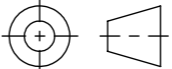


SECTION A-A



UNLESS OTHERWISE SPECIFIED: CHAMFER SHARP EDGES GENERAL TOLERANCE NEN-ISO 2768-m FORM AND PLACE TOLERANCES NEN-ISO 1101 WELDING SYMBOL NEN EN 22553 ROUGHNESS ACC. to NEN3634		TOLERANCE PRINCIPLE ISO 8015		FINISH: -		DO NOT SCALE DRAWING		
PROJECTION : THIRD ANGLE UNITS : mm		Material:		SHEET FORMAT: A2		TITLE: Piccolo 4 kW		
DRAWN J.K.	SIGNATURE	DATE 21-2-2014	STATUS: Design Review	ARTICLE NO. 7504A001		REVISION		
CHKD M.F.		01-01-1900	DRAWING:	SCALE:1:5		SHEET 1 OF 2		
PRINTED		21-10-2014	Weight: 43333.26 gram	NOT_REQUIRED				



UNLESS OTHERWISE SPECIFIED: CHAMFER SHARP EDGES GENERAL TOLERANCE NEN ISO 2768-m FORM AND PLACE TOLERANCES NEN-ISO 1101 WELDING SYMBOL NEN EN 22553 ROUGHNESS ACC. to NEN3634				TOLERANCE PRINCIPLE ISO 8015		FINISH: -		DO NOT SCALE DRAWING			
				PROJECTION : THIRD ANGLE UNITS : mm 		Material:		SHEET FORMAT: A3			
								TITLE: Piccolo 4 kW			
						STATUS: Design Review					
DRAWN J.K. 21-2-2014				CHK'D M.F. 01-01-1900		DRAWING: 7504A001		ARTICLE NO. NOT_REQUIRED			REVISION
PRINTED 21-10-2014						Weight: 43333.26 gram		SCALE:1:3		SHEET 2 OF 2	