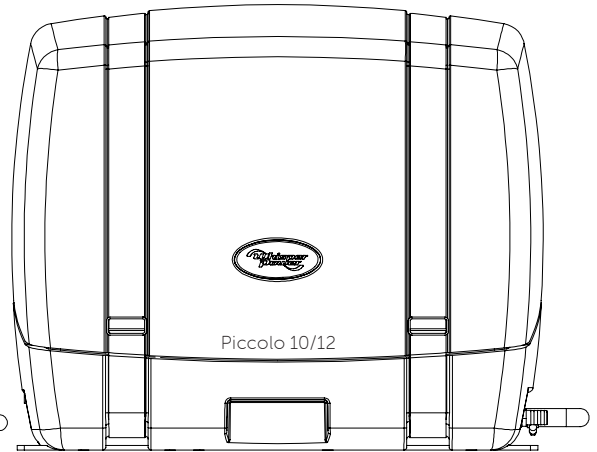
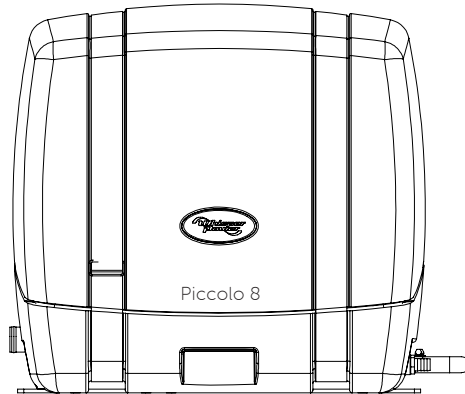




Variable Speed Diesel Generators

Piccolo Marine Stage V / Tier 4

Piccolo 6 | Piccolo 8 | Piccolo 10 | Piccolo 12



Generator Description

Art. No.	Art. Name	Art. Definition
49004005	Piccolo 6	(Kubota Z482-E4B) 230 V
49004055	Piccolo 6	(Kubota Z482-E4B) 120 V
49005005	Piccolo 8	(Kubota Z482) 230 V
49005006	Piccolo 8	(Kubota Z482) 230 V Ungrounded
49005055	Piccolo 8	(Kubota Z482) 120 V
49009005	Piccolo 10	(Kubota D722) 230 V
49009055	Piccolo 10	Dual phase 120/240 VAC (D722)
49006005	Piccolo 12	Dual phase 120/240 VAC

Ratings: Marine continuous ratings per ISO 3046, ISO 8528-1, guidelines for complete ratings definitions. Availability is subject to change without notice.

WhisperPower reserves the right to change the design or specifications without notice and without any obligation or liability whatsoever. Contact your local WhisperPower distributor for availability.

Engine Features

- Diesel fueled
- Emission certification Stage V / EPA tier 4
- Four stroke
- Indirect cooling system
- Marine heat exchanger and exhaust manifold
- Electric fuel lift pump

Generator Features

- High efficient watercooled
- Permanent magnet alternator
- Inverter voltage regulation
- Class H insulation
- Adjustable Variable speed

Benefits


- Silent, lowest audible noise
- Easy to install, plug and play connections



Variable Speed Diesel Generators

Piccolo Marine Stage V / Tier 4

Application Data 1

Generator Model	Piccolo 6 	Piccolo 8	Piccolo 10	Piccolo 12
	Generator based on Kubota Z482-E4B	Generator based on Kubota Z482	Generator based on Kubota D722	Generator based on Kubota D722
System output	6 kVA/6 kW	8 kVA/6 kW	10 kVA/8 kW	10 kVA/9.6 kW
Peak power 200msec	200%	200%	200%	200%
Rpm range	2500 .. 2800 rpm	2500 .. 2800 rpm	2500 .. 2800 rpm	2800.. 3300 rpm
Low rpm setpoint	1800 rpm	1800 rpm	2400 rpm	2400 rpm
Max rpm setpoint	3200 rpm	3200 rpm	3200 rpm	3600 rpm
Typical rpm	2400 .. 2600	2400 .. 2600	2400 .. 2600	2400 .. 2600
Sound level @ 7m	54 dBA	54 dBA	54 dBA	54 dBA
Sound level @ 1m	65 dBA	65 dBA	65 dBA	65 dBA
Cooling	Intercooling			
Exhaust	Wet type, 40mm (except ..030)			
Speed governor	Mechanical			
Starter battery capacity	12 V / 80 Ah	12 V / 80 Ah	12 V / 80 Ah	12 V / 80 Ah
Standard supplies	fuel filter, fuel lift pump, user and installation manuals (models featuring DDC: digital remote panel, 10 m cable)			
Available options	installation kits, non-earth return (ungrounded), spare part kit, longer or shorter DDC cables			
Mechanical specifications				
Dimensions (l x w x h)	520 x 470 x 541 mm	660 x 550 x 662 mm	770 x 550 x 622 mm	
Dry weight incl. sound shield	145 kg [keel-cooled: 147 kg]	155 kg [keel-cooled: 147 kg]	175 kg [keel-cooled: 167 kg]	
PMG dimensions (h x w x d)	420 x 196 x 148 mm	420 x 196 x 148 mm	451 x 200 x 174 mm	451 x 200 x 174 mm
PMG weight	7.2 kg	7.2 kg	9.9 kg	9.9 kg
Color	RAL9010 signal white, RAL9020 metallic black			
Engine				
Engine model	Kubota Z482-E4B	Kubota Z482	Kubota D722	Kubota D722
Emission Regulation	Tier 4, EPA			
Engine performance intermittent SAE J1349	8.3 kW @ 3000 rpm	9.32 kW @ 3600 rpm	14.0 kW @ 3600 rpm	14.0 kW @ 3600 rpm
Engine performance continuous SAE J1349	7.4 kW @ 3000 rpm	8.05 kW @ 3600 rpm	12.15 kW @ 3600 rpm	12.15 kW @ 3600 rpm
Number of cylinders	2	2	3	3
Displacement	0.479 l	0.479 l	0.719 l	0.719 l
Bore & stroke	67 x 68 mm	67 x 68 mm	67 x 68 mm	67 x 68 mm
Air intake system	Naturally aspirated			
Air consumption	< 0.95 m3/min	< 0.95 m3/min	< 1.22 m3/min	< 1.22 m3/min
Fuel oil	Diesel fuel oil (ASTM No. 2-D)			
Fuel consumption @ full load	275 g/kWh			
Engine cooling	Indirect water cooled (keel-cooling closed)			
Alternator	12,5 A	12,5 A	40 A	40 A
Operating principle	Energize to run			
Starter power requirement	0.8 kW	0.8 kW	0.8 kW	0.8 kW
Nominal operation voltage	12 VDC	12 VDC	12 VDC	12 VDC
Monitoring and control	ECU in Power Module	Digital Diesel Control	Digital Diesel Control	Digital Diesel Control
Protections	Oil temperature and pressure, exhaust/coolant temperature [dry/wet exhaust]			
Local control	PMG only	Start/stop & maintenance	Start/stop & maintenance	Start/stop & maintenance
Service interval oil change	200 h			
Lubricant	At least CF			
Oil capacity	Approx. 2.1 l	Approx. 3.2 l	Approx. 3.8 l	Approx. 4.0 l

REV1.1-7019-May-2023 Datasheet-Piccolo 6-12 *Specifications included in this datasheet are subject to change without prior notice.



Variable Speed Diesel Generators

Piccolo Marine Stage V / Tier 4

Application Data 2

Alternator	Piccolo 6	Piccolo 8	Piccolo 10	Piccolo 12
Type	Permanent Magnet Alternator PM			
Model	HV/WP, 455 VAC, 333 Hz, 16 A	HV/SAE5, 300 VAC, 400 Hz, 15 A	HV/SAE5, 300 VAC, 400 Hz, 15 A	HV/SAE5, 300 VAC, 400 Hz, 15 A
Output voltage per phase (Delta), no load @ 25 °C	118V @ 1800 rpm 236V @ 3600 rpm	118V @ 1800 rpm 236V @ 3600 rpm	118V @ 1800 rpm 236V @ 3600 rpm	118V @ 1800 rpm 236V @ 3600 rpm
Output frequency	240 Hz @ 1800 rpm 480 Hz @ 3600 rpm	240 Hz @ 1800 rpm 480 Hz @ 3600 rpm	240 Hz @ 1800 rpm 480 Hz @ 3600 rpm	240 Hz @ 1800 rpm 480 Hz @ 3600 rpm
Nominal power (torque)	20 Nm	40 Nm	40 Nm	40 Nm
Configuration	3-phase, Star (for WP-PMG) or Delta (for DC PowerCube)			
Nominal efficiency	94%			
Cooling	Radiator cooling			
Nominal coolant temperature	40 .. 80 °C			
Bearing, coupling	Single end bearing, flex plate			
Rotor concept	Inner rotor type			
Number of phases	3-phase			
Insulation class	H			
Maximum allowed winding temperature	175 °C			
High voltage test	3000 V			

Regulations and Directives

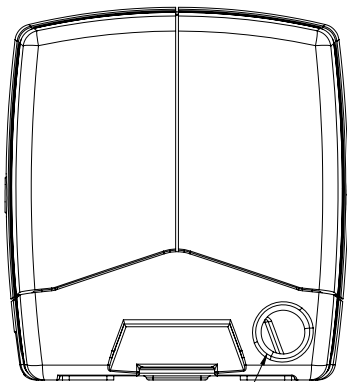
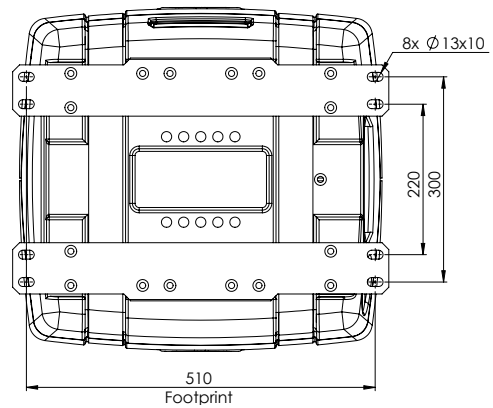
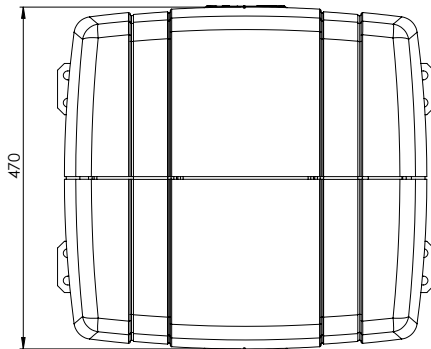
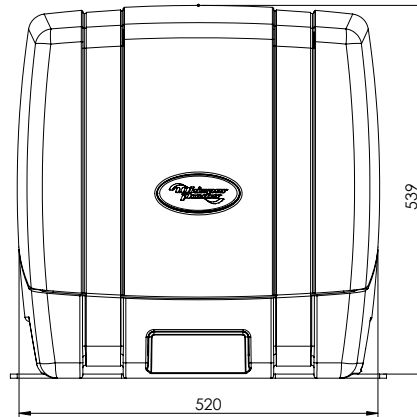
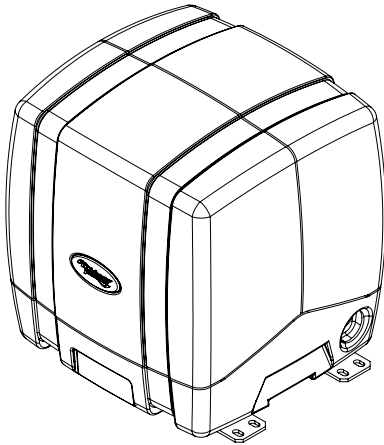
CE conformity	
EMC directive	EMC 2004/108/EC
Emission	EN 55022 (Class A/B household/light industrial use)
Harmonics	EN 61000-3-2 (<16 A, Class A)
Dips, variations, flicker	EN 61000-4-11, EN6100-3-3 (designed to meet)
Immunity	EN 61000-6-2, marine suitable or better
LV directive	LVD 2006/95/EC
Safety	EN 60950 Safety of information technology equipment EN 60335-1 Safety of household and similar electrical appliances, Part 1 EN 60335-2-29 Household and similar electrical appliances – Safety - Particular requirements for battery chargers
Vibration and shock levels (designed to meet)	EN 68-2-6, 5-50 Hz velocity, max. 20mm amplitude, suitable for marine and mobile high vibration environments
E-marking (designed to meet)	Automotive EMC 2004/104/EC
EN (designed to meet)	EN 60945
ABYC (designed to meet)	American Boat & Yacht Council
UL or CSA (designed to meet)	UL 458



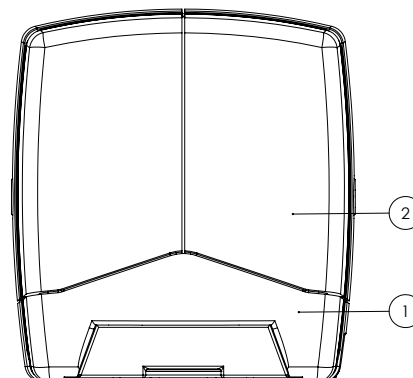
Variable Speed Diesel Generators

Piccolo Marine Stage V / Tier IV

Drawing 1 - Piccolo 6



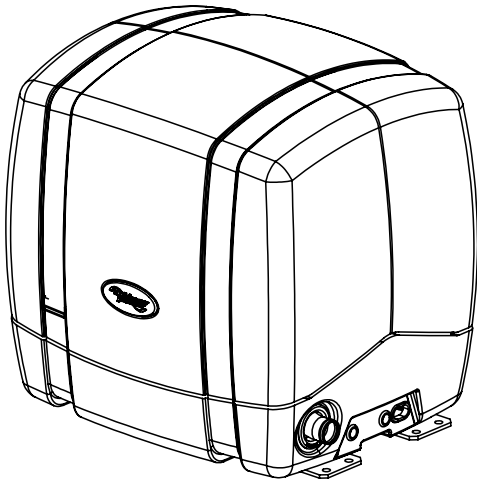
Exhasut
Marine Ø40 Hose connection



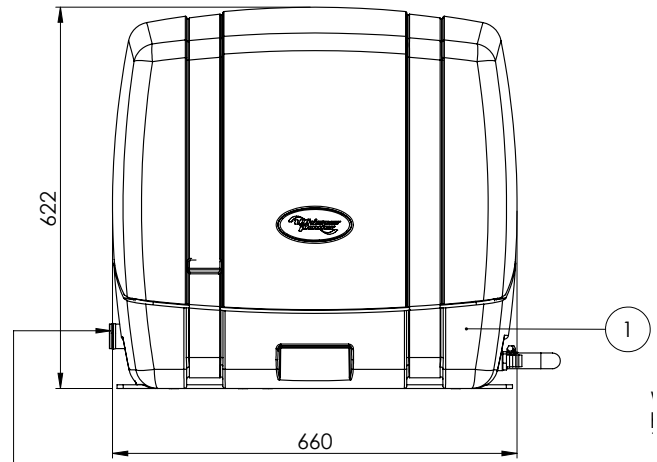


Variable Speed Diesel Generators Piccolo Marine Stage V / Tier 4

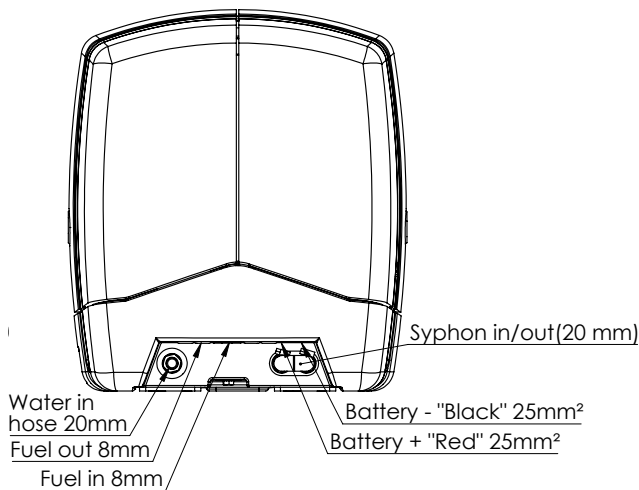
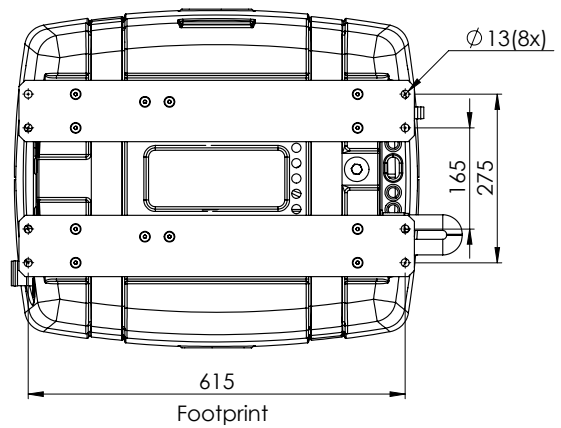
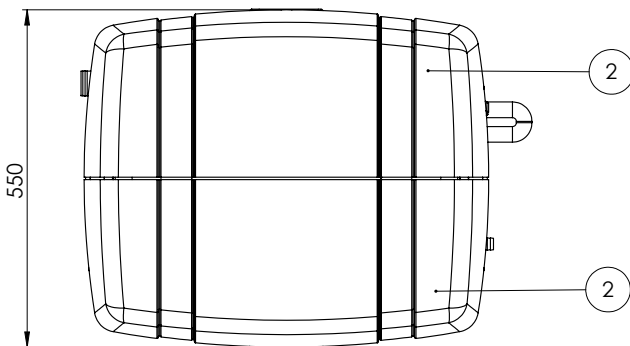
Drawing 2 - Piccolo 8



scale 1:10

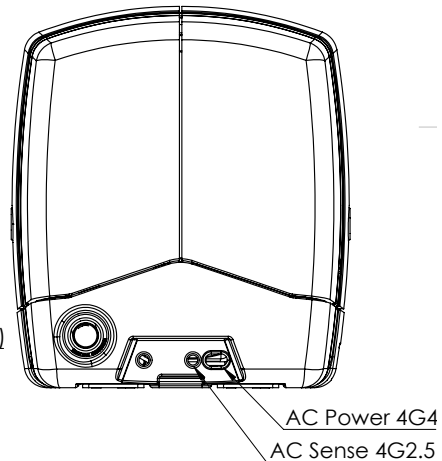


Exhaust
Marine: $\varnothing 40$ hose connection



Water in
hose 20mm
Fuel out 8mm
Fuel in 8mm

Syphon in/out (20 mm)
Battery - "Black" 25mm²
Battery + "Red" 25mm²



AC Power 4G4
AC Sense 4G2.5



Variable Speed Diesel Generators Piccolo Marine Stage V / Tier 4

Drawing 3 - Piccolo 10 | 12

